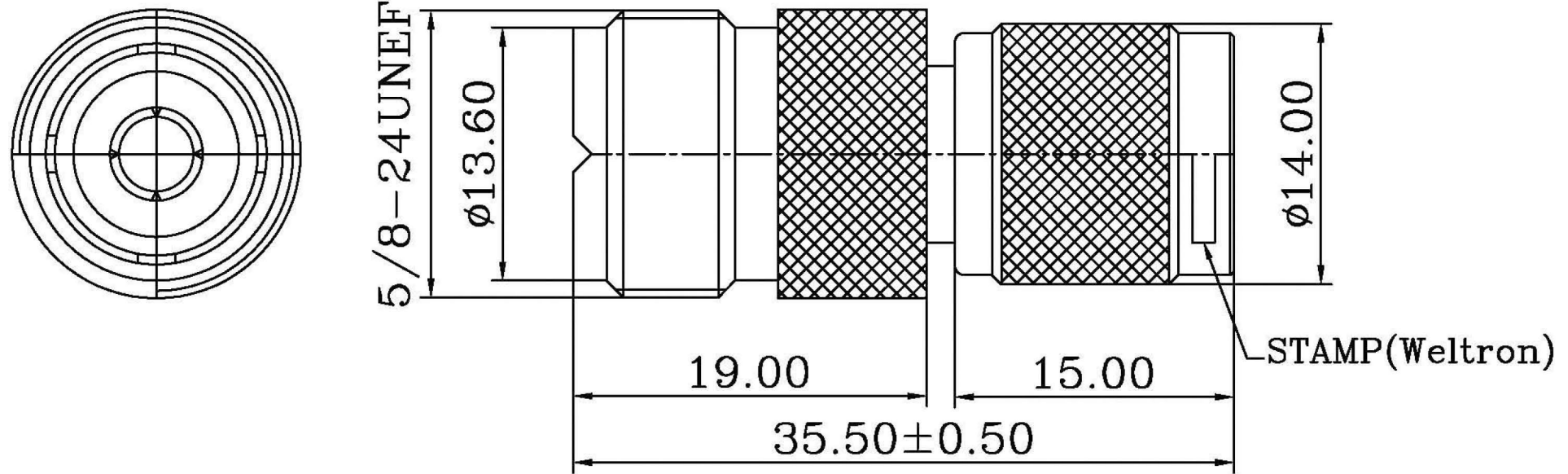


ROHS Compliant

REVISIONS				
RevNo	Description	Date	Revision	Mender
1				
2				



ITEM	DESCRIPTION	MATERIAL	Q'TY	FINISHED
8	INSULATOR	POM		NATURAL
7	BODY	ZINC		NICKEL PLATED
6	WASHER	ZINC		NICKEL PLATED
5	CENTER CONTACT	BRASS	1	NICKEL PLATED
4	BODY	ZINC	1	NICKEL PLATED
3	OUT CONTACT	Fe	1	NICKEL PLATED
2	INSULATOR	ABS	1	NATURAL
1	SHELL	ZINC	1	NICKEL PLATED

<b>weltron</b> <sup>®</sup>				TITLE		
<b>44-275</b>				UHF FEMALE TO TNC MALE		
PART NO.		UNITS	MM	UNLESS OTHERWISE SPECIFIED TOLERANCES:	DESIGNED	<i>CJ</i>
MODEL NO.		SCALE	FTT		0.5-16 = ±0.16	DRAWING
				15-30 = ±0.30	CHECKED	<i>David</i>
				30-120 = ±0.60	APPROVED	<i>Andy</i>
		EDITION	A1	PUBLISH DATE	2019/07/19	
					3RD ANGLE	