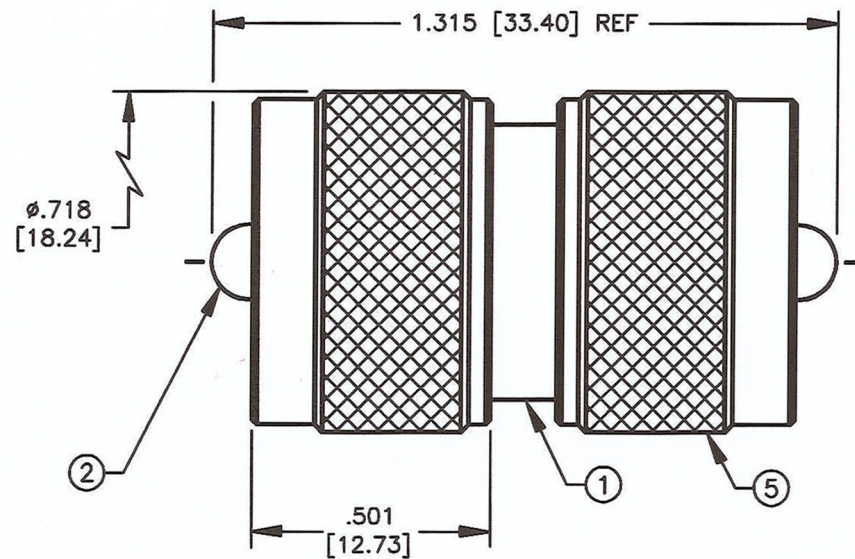


ALL DIMENSIONS ARE REFERENCE ONLY

REV	DESCRIPTION	DWN	DATE	APPROVED
B	THREAD CHANGE	CJ	4/06/92	J. BENZ
C	STANDARDIZE	DM	11/04/92	J. BENZ
D	UPDATE TO SHOW INDIVIDUAL PART SECTIONS	BMA	2/04/97	R. RICE
E	DIELECTRIC NOW TEFLON	CZS	10/20/98	R. RICE



SPECIFICATIONS:

IMPEDANCE: NON CONSTANT  
 WORKING VOLTAGE: 500 VRMS @ SEA LEVEL  
 FREQUENCY RANGE: 0-300 MHz

5	SHELL	2	BRASS	NICKEL
4	RETAINING RING	2	BRASS	NICKEL
3	DIELECTRIC	2	PTFE	NONE
2	PIN	1	BRASS	SILVER
1	BODY	1	BRASS	NICKEL

DIMENSIONS ARE IN INCHES AND [MILLIMETERS]  
 UNLESS OTHERWISE NOTED TOLERANCES ARE:  
 DECIMALS      DIAMETER

DRAWN  
 CHECKED  
 ORJ DRAWN

PART NO. :		<b>44-402</b>	
DESCRIPTION :			
DOUBLE UHF MALE ADAPTER			
SIZE	CABLE GROUP	DWG NO.	REV
A	N/A		E