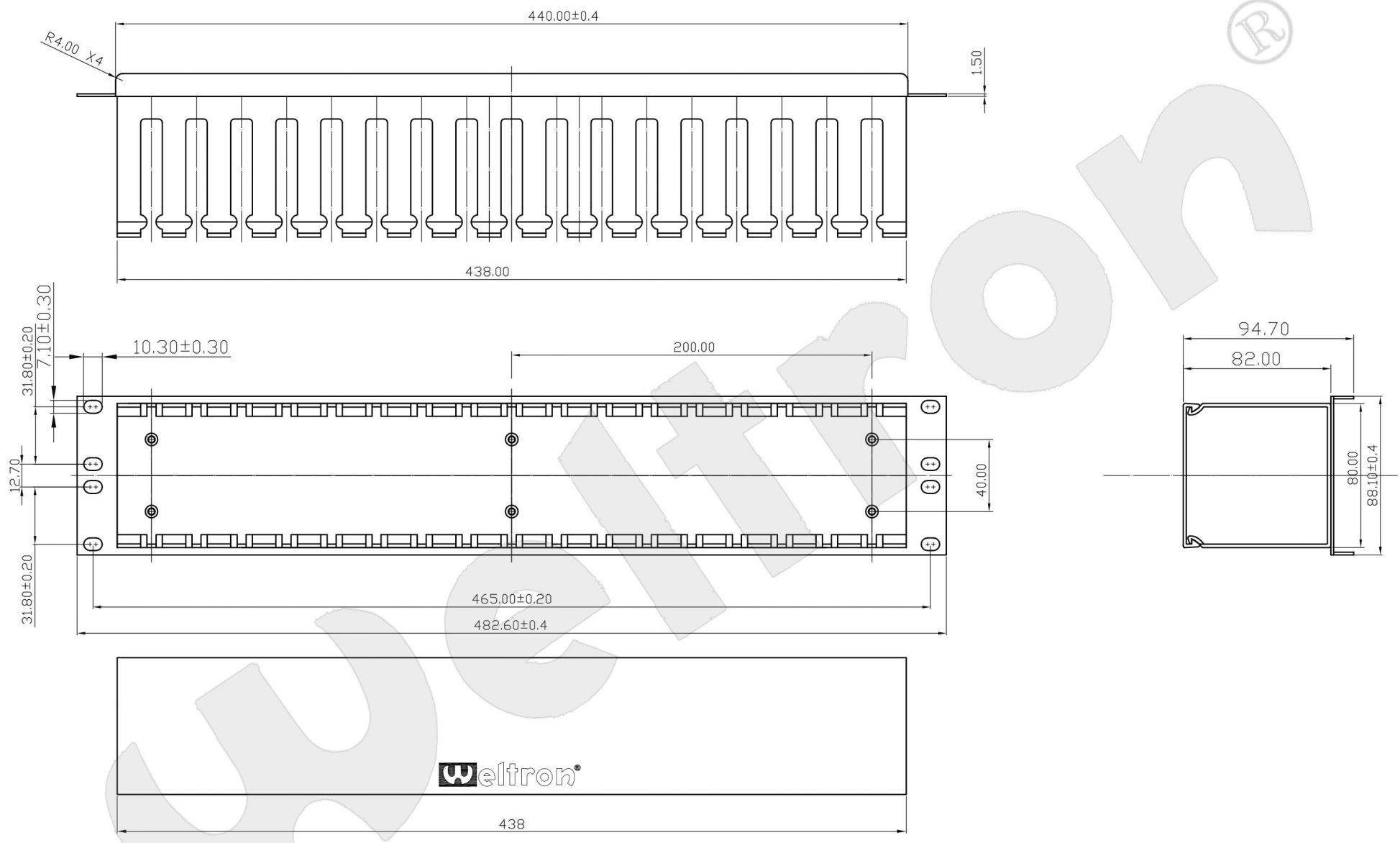


REVISIONS				
ZONE	REV	DESCRIPTION	DATE	DRAWN
	A		06/06/15	



NOTES:

- MATERIAL: 16 GAUGE CRS
WIRING DUCT: PVC BLACK(VD-10)
- FINISH: BLACK POWDER COATED, CARDINAL FINISH,
BREAK SHARP CORNERS AND EDGES.

UNLESS OTHERWISE SPECIFIED: TOLERANCES		PROJECT ID 2012PU-B12-WN		Weltron [®]	
DECIMAL	ANGULAR	FILE	DATE		
OVER 20 ~ ±0.1mm	±0'30"			TITLE 1.75" FINGER DUCT PANEL	
OVER 40 ~ ±0.15mm				SIZE A1	
OVER 60 ~ ±0.2mm				DRAWING NUMBER 90-CMP-42-FD	
MATERIAL	DRAWN			PART NUMBER 90-CMP-42-FD	
SURFACE	CHECK			REV	
FINISH	APPROVED			SCALE 1 : 1 UNIT mm SHEET 1 OF 1	