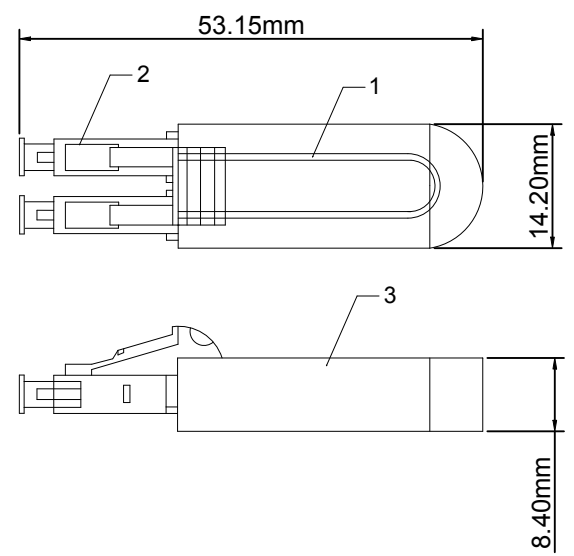


|     |              |             |           |
|-----|--------------|-------------|-----------|
| REV | MODIFICATION | UPDATE DATE | SIGNATURE |
|     |              |             |           |



NOTES: link test  
Insertion loss  $\leq 0.60\text{dB}$

|      |     |     |  |     |          |            |  |               |        |  |
|------|-----|-----|--|-----|----------|------------|--|---------------|--------|--|
| 3    | 1   |     | Plastic Housing  |     |          |            |  |               |        |  |
| 2    | 1   |     | LC/UPC MM Duplex 2.0mm Connector (Aqua Housing)                  |     |          |            |  |               |        |  |
| 1    | A/R |     | OD:0.25mm, Multimode 50/125 OM3-300, Simplex, Color: Transparent |     |          |            |  |               |        |  |
| ITEM | QTY | P/N | SPECIFICATION  |     |          |            |  |               |        |  |
|      |     |     | DRAW   | FJZ | DATE     | 05-08-2024 | TITLE: Cassette Loopback LC/UPC MM OM3-300 |               |        |  |
|      |     |     | CHECK  |     | APPROVED |            | SKU NO                                     | FIB-LBMMM3-LC | DWG NO |  |