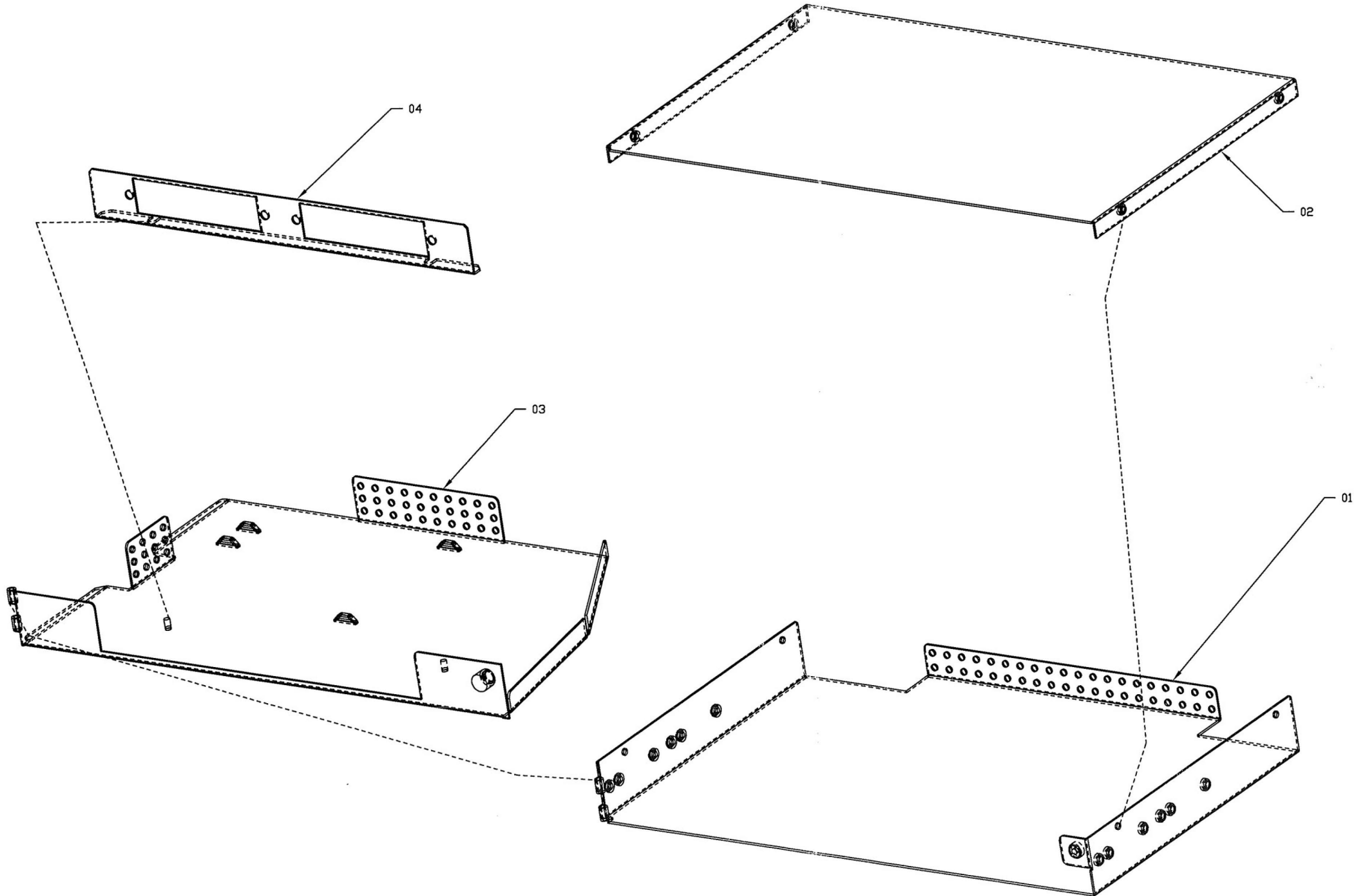
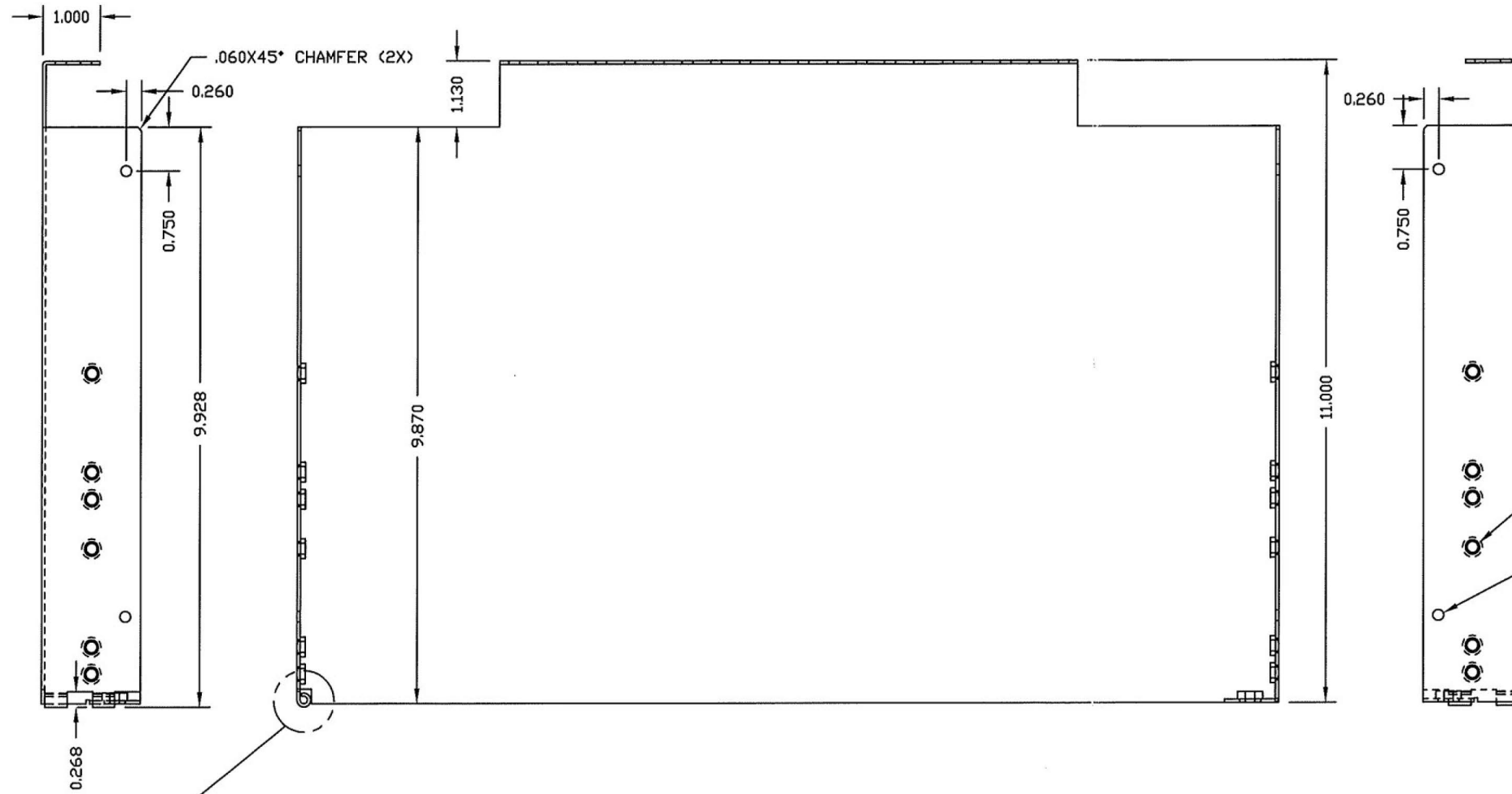
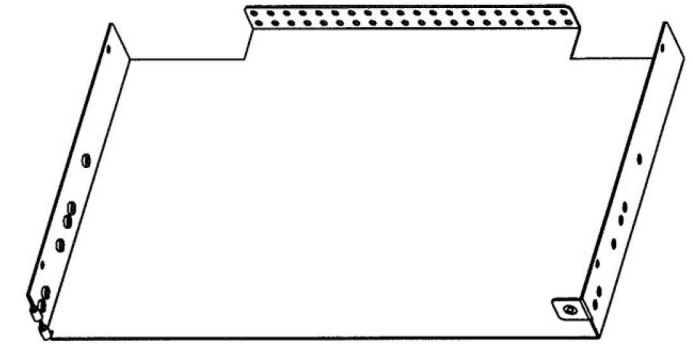
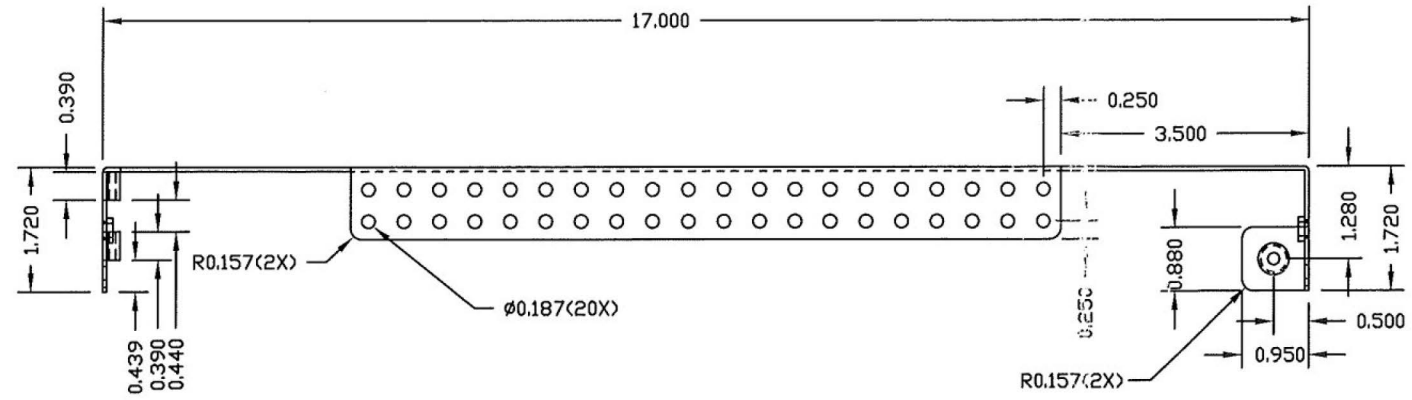


PARTS LIST			
ITEM#	QTY.	PART#/DESCRIPTION	
01	1	P07-02-12-06 / LOWER WRAP	
02	1	P07-02-12-02 / TOP COVER	
03	1	P07-02-12-07 / HINGED DRAWER	
04	1	P07-02-12-08 / BAFFLE FOR 12 PORT	
05	2	P07-02-12-05 / MTG. BRKT.	→
06	1	P07-02-12-09 / HINGE PIN, 1.64 LONG	→
07	4	MC# 90272A190 / PH MACH SCREW 8-32 X .25 LONG	→
08	2	MC# 90675A009 / HX NUT W/TOOTH WASHER 8-32	→

NOT SHOWN, PACK WITH ASSEMBLY  
 NOT SHOWN, INSERT TO ASSEMBLE ITEM 3 TO ITEM 1  
 NOT SHOWN, INSERT TO ASSEMBLE ITEM 2 TO ITEM 1  
 NOT SHOWN, USE TO ASSEMBLE ITEM 4 TO ITEM 3

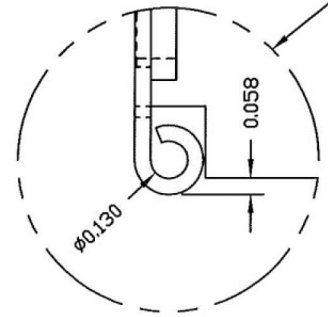
P/N : FIB-RM012





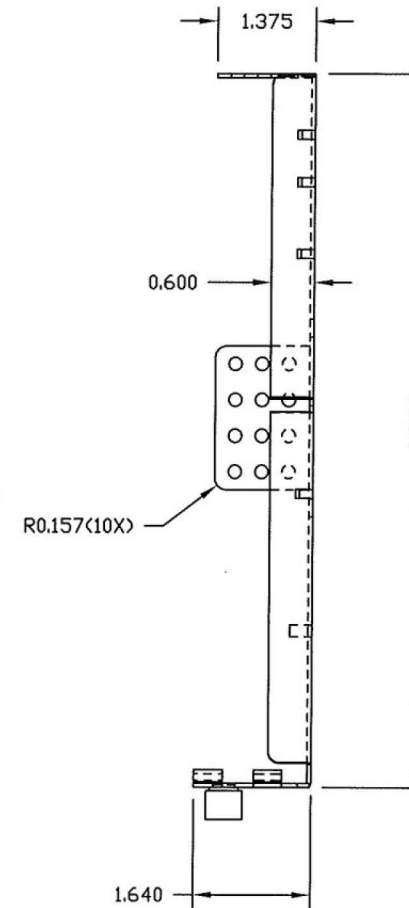
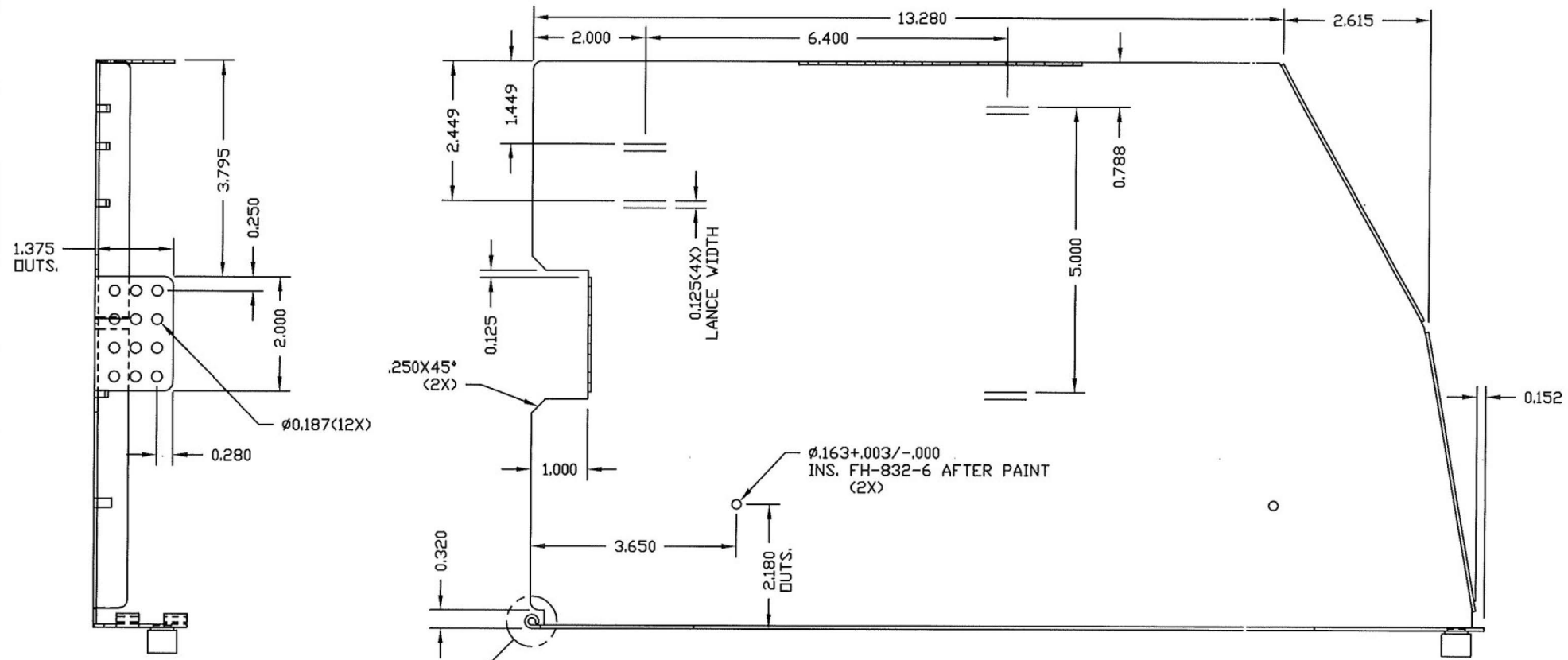
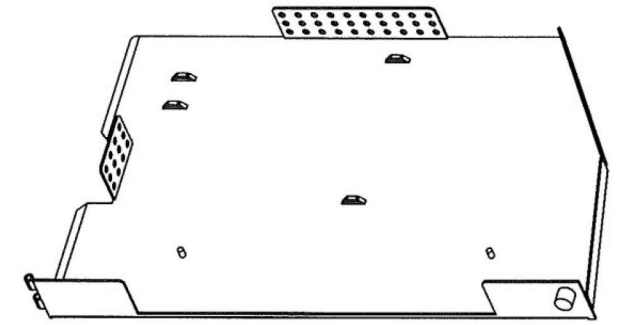
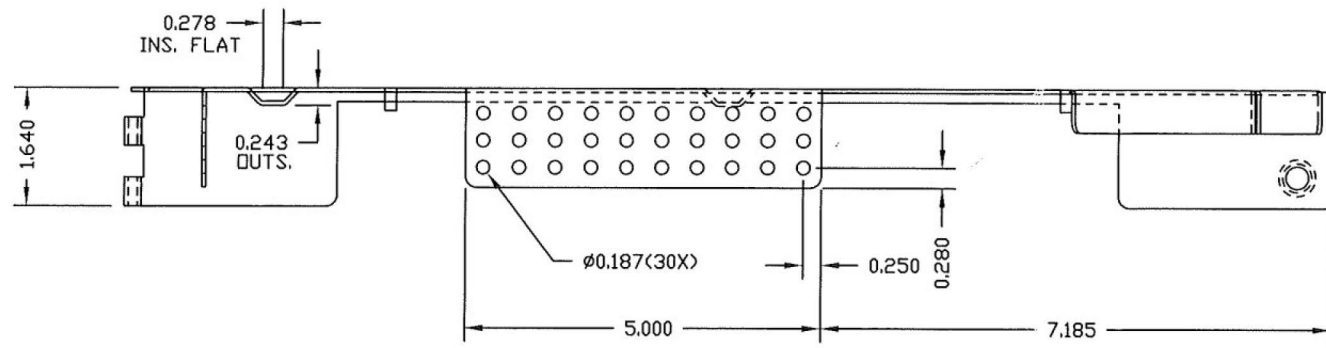
$\phi 0.250+0.003/-0.000$   
INSTALL SS-032-2 AFTER PAINT  
(12X)

$\phi 0.187(4X)$



$\phi 0.368+0.003/-0.000$   
INSTALL AS-832-2 AFTER PAINT





SCREEN PRINT USING WHITE INK  
APPROX. AS SHOWN

