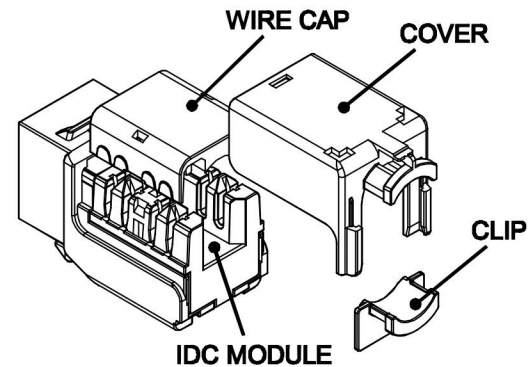
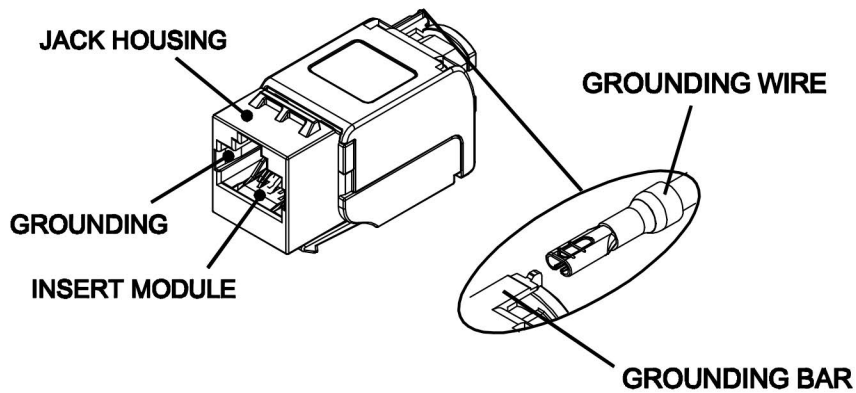
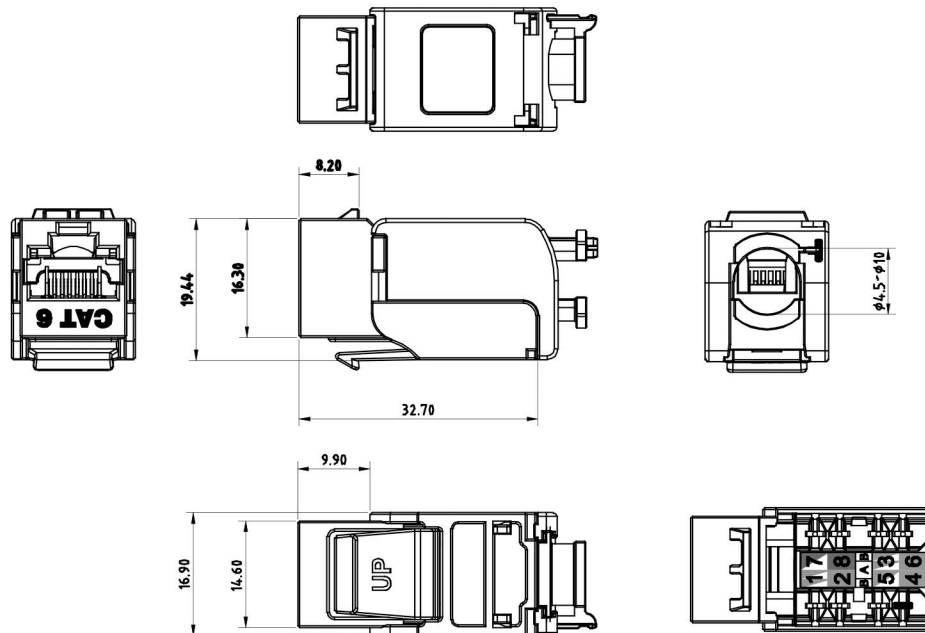


REVISIONS				
ZONE	REV	DESCRIPTION	DATE	DRAWN
	A			TYRON



ASSEMBLY DIMENSION



COMPONENTS

ITEM	PART NAME	Q'TY
1	JACK HOUSING	1
2	INSERT MODULE	1
3	GROUNDING	1
4	IDC MODULE	1
5	WIRE CAP	1
6	COVER	1
7	CLIP	1

TRANSMISSION PERFORMANCE

Meet all requirements specified in connecting hardware requirement of:

ANSI/TIA-568-C.2, Category 6

ELECTRICAL

Electrical Insulation Resistance : 500 M Ω min. @ 100V d.c

Dielectric Withstanding Voltage : 1000V d.c. or a.c. Peak Contact to Contact @ 60Hz for 1 minute, 1500V d.c. or a.c. Peak Contact to Panel @ 60Hz for 1 minute

MECHANICAL

Insertion / Extraction Life : 750 Cycles Minimum
IDC Wire Gauge : 22 ~ 24 AWG

PHYSICAL

Housing : Zinc-alloy fully shielded
Spring Wire : Phosphor Bronze Alloy Plated With 50 micro-inch of Gold

IDC : Phosphor Bronze Alloy With 100 micro-inch 100% Sn Alloy

UNLESS OTHERWISE SPECIFIED:
TOLERANCES
INCH MM ANGULAR
.X \pm .016 .X \pm 0.2 X \pm 1'
.XX \pm .008 .XX \pm 0.1 .X \pm .5'
XXX \pm .004

MATERIAL

DRAWN

TYRON

SURFACE

CHECK

FINISH

APPROVED

Weltron[®]

SIZE	DRAWING NUMBER	PART NUMBER	REV
A4	Z4000	44-678C6-SHLD	A
SCALE	UNIT	mm	SHEET 1 OF 1