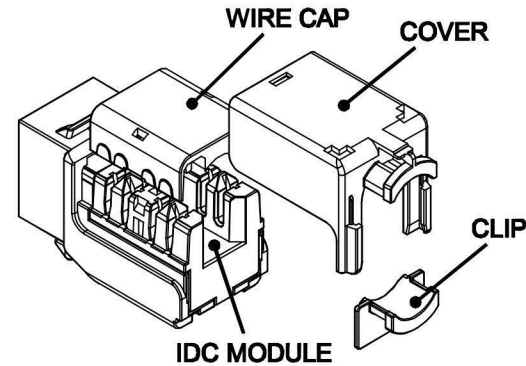
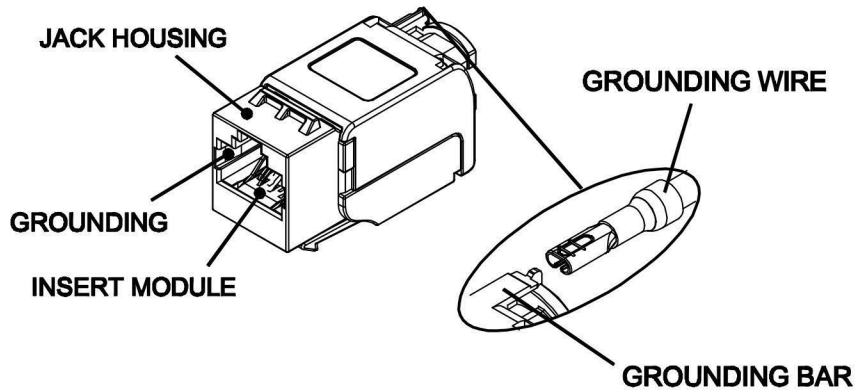
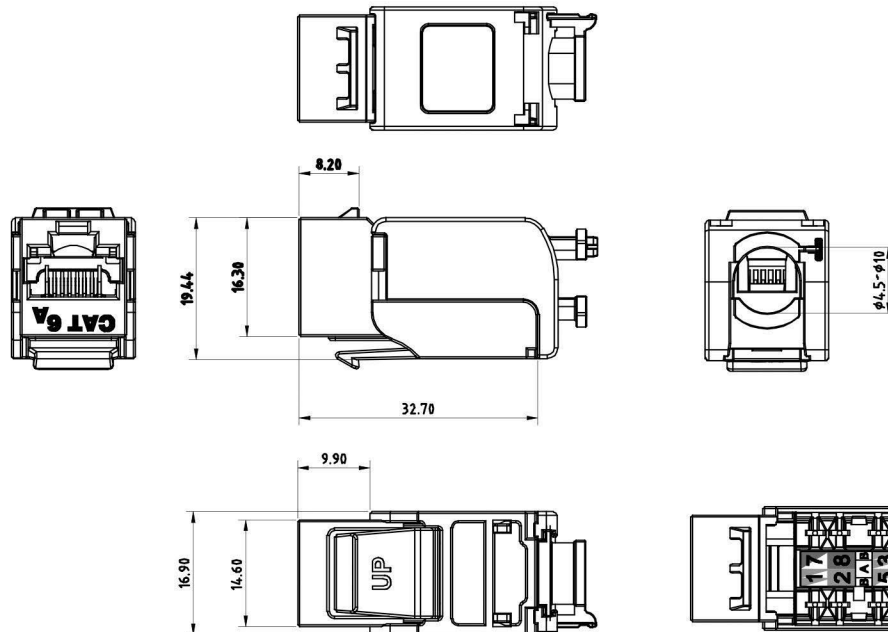


REVISIONS				
ZONE	REV	DESCRIPTION	DATE	DRAWN
	A	EG14037	06/19/14	TYRON



ASSEMBLY DIMENSION



COMPONENTS

ITEM	PART NAME	Q'TY
1	JACK HOUSING	1
2	INSERT MODULE	1
3	GROUNDING	1
4	IDC MODULE	1
5	WIRE CAP	1
6	COVER	1
7	CLIP	1
8		

TRANSMISSION PERFORMANCE

Meet all requirements specified in connecting hardware requirement of:

ANSI/TIA-568-C.2, Category 6A

ELECTRICAL

Electrical Insulation Resistance : 500 MΩ min. @ 100V d.c

Dielectric Withstanding Voltage : 1000V d.c. or a.c. Peak Contact to Contact @ 60Hz for 1 minute, 1500V d.c. or a.c. Peak Contact to Panel @ 60Hz for 1 minute

MECHANICAL

Insertion / Extraction Life : 750 Cycles Minimum
IDC Wire Gauge : 22 ~ 24 AWG

PHYSICAL

Housing : Zinc-alloy fully shielded
Spring Wire : Phosphor Bronze Alloy Plated With 50 micro-inch of Gold

IDC : Phosphor Bronze Alloy With 100 micro-inch 100% Sn Alloy

UNLESS OTHERWISE SPECIFIED:
TOLERANCES
INCH MM ANGULAR
.X ± .016 .X ± 0.2 X ± 1'
.XX ± .008 .XX ± 0.1 .X ± .5'
.XXX ± .004

PROJECT ID
FILE
DATE

MATERIAL
SURFACE
FINISH

DRAWN
TYRON 06/19/14
CHECK
APPROVED

Weltron®

PART NUMBER
44-678C6A-SHLD

SIZE
A4
DRAWING NUMBER
REV
A

SCALE
UNIT
mm
SHEET
1 OF 1