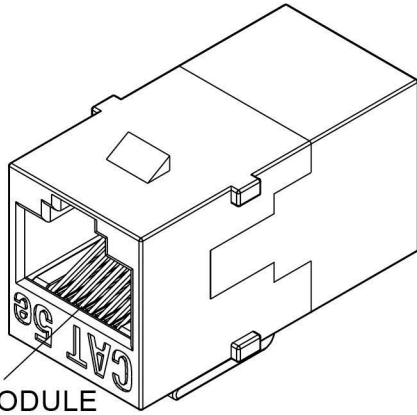
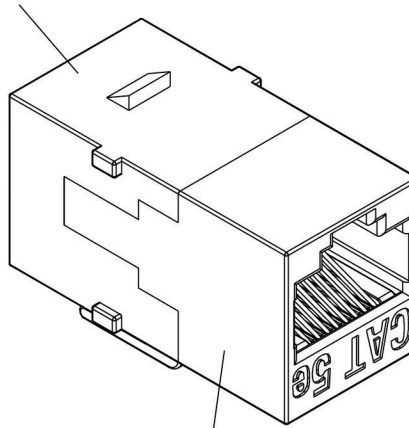


ISOMETRIC VIEW



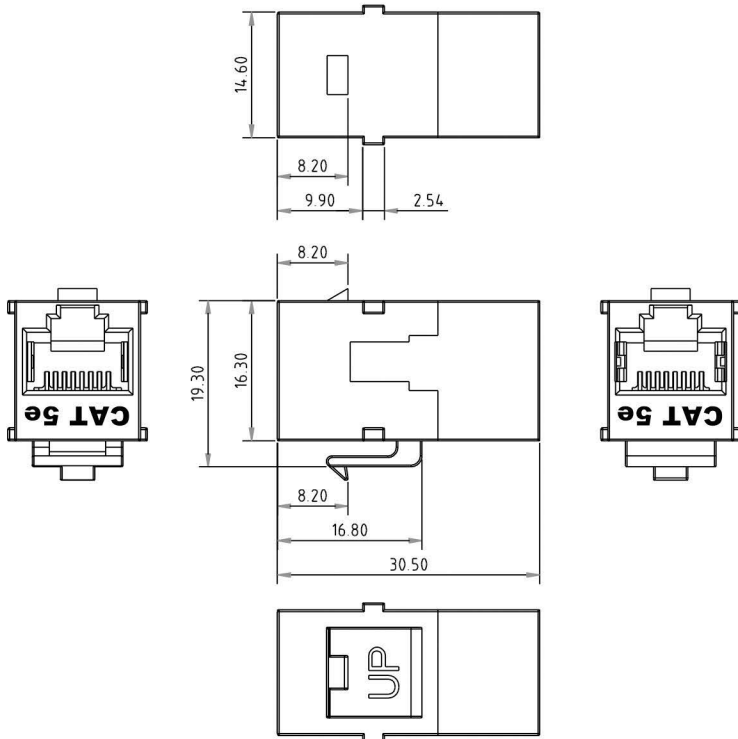
INSERT MODULE

JACK HOUSING LEFT



JACK HOUSING RIGHT

ASSEMBLY DIMENSION



COMPONENTS		
ITEM	PART NAME	Q'TY
3	INSERT MODULE	2
2	JACK HOUSING LEFT	1
1	JACK HOUSING RIGHT	1

REVISIONS				
ZONE	REV	DESCRIPTION	DATE	APPROVED
	A	EG10026	03/15'10	JASON
	B	ECN-ME11383	09/22'11	JASON

Transmission Performance:
Meet Cat 5e Channel performance requirements specified in TIA-568-C.2

ELECTRICAL

Electrical Insulation Resistance : 500 MΩ min. @ 100V d.c.
Dielectric Withstanding Voltage : 1000V d.c. or a.c. Peak Contact to Contact @ 60Hz for 1 minute,

MECHANICAL

Retention : 50N (11 lbf) for 60s±5s
Insertion / Extraction Life : 750 Cycles Minimum
PHYSICAL
Housing : High-Impact, Flame-Retardant Plastic, UL 94V-0
Spring Wire : Phosphor Bronze Alloy Plated With 50 micro-inch of Gold Over 70~100 micro-inch of Nickel

UNLESS OTHERWISE SPECIFIED: TOLERANCES		PROJECT ID 1026K-5EB		weltron [®]	
INCH	MM	ANGULAR	FILE		
.X ± .016	.X ± 0.2	X ± 1'	Z3018.dwg		PART NUMBER 44-771-8C5E-BK
.XX ± .008	.XX ± 0.1	.X ± .5'			
.XXX ± .004			MATERIAL	DRAWN JASON	02/08'10
SURFACE		CHECK		SIZE	DRAWING NUMBER
FINISH		APPROVED		A4	Z3018
				TITLE	REV
				Cat5e Keystone Feedthru Insert	B
SCALE			UNIT	SHEET	
			mm	1 OF 1	