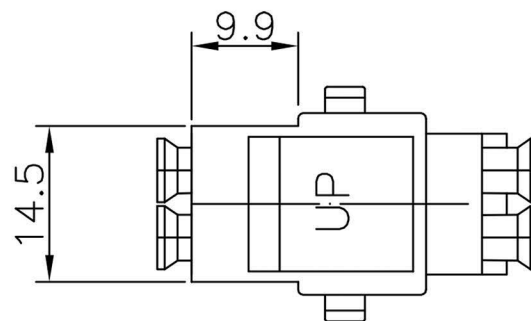
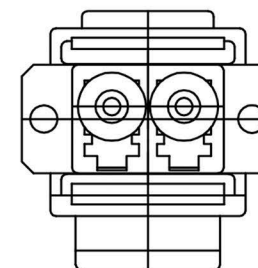
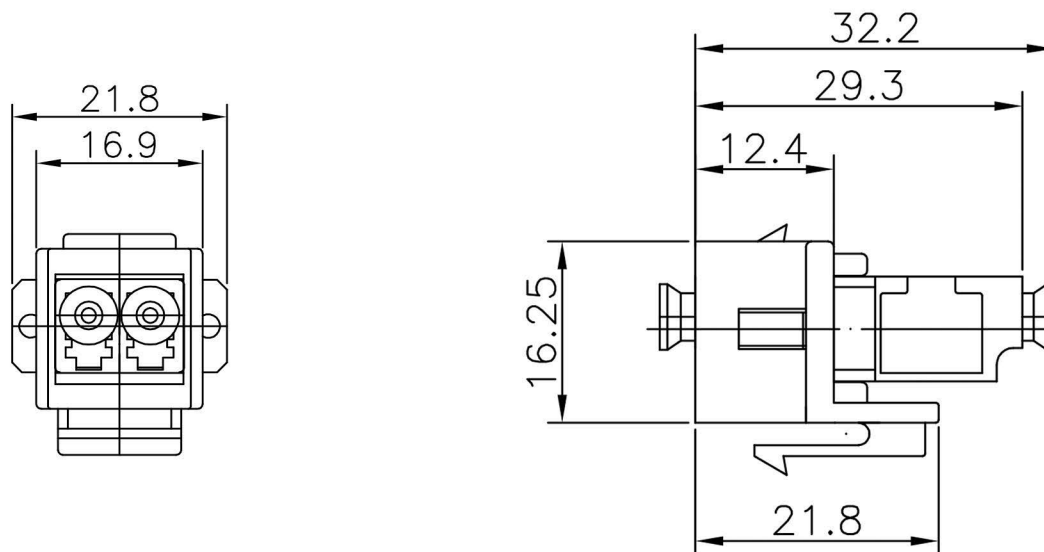


REVISIONS				
ZONE	REV	DESCRIPTION	DATE	APPROVED
	A	EG 03049	07/04/03	
	B	. ECN: ME04257	7/28/04	JERRY
	C	. ECN: ME04290	8/27/04	JERRY
	D	ECN ME06366 HOUSING	8/24/06	JERRY
	E	.ECN:ME09261	07/15'09	Debbie



MATERIAL:
 ADAPTER BODY:PLASTIC.
 COLOR:BLUE(SM)
 ALIGNMENT SLEEVE: ZIRCONIA(CERAMIC).
 COLOR:WHITE
 DUST CAP:PLASTIC.
 HOUSING:ABS UL94V0

SPECIFICATION

		SM
INSERTION LOSS(dB) (@1310nm)		0.12~0.20@ΔIL avg
SM		
1	2013-LC2	DUPLEX CERIMIC

UNLESS OTHERWISE SPECIFIED: TOLERANCES		
INCH	MM	ANGULAR
.X ± .016	.X ± 0.2	X ± 1°
.XX ± .008	.XX ± 0.1	X ± .5°
.XXX ± .004		
MATERIAL		
SURFACE		
FINISH		

PROJECT ID 2013-LCX	
FILE	DATE
DRAWN jerry	6/27/03
CHECK	
APPROVED	

weltron®

PART NUMBER
44-771-SLC-CR

SIZE A3	DRAWING NUMBER Z1291	TITLE: DUAL SINGLEMODE LC KEYSTONE CERAMIC FIBER COUPLER	REV E
SCALE 2 : 1	UNIT mm	SHEET 1 OF 1	