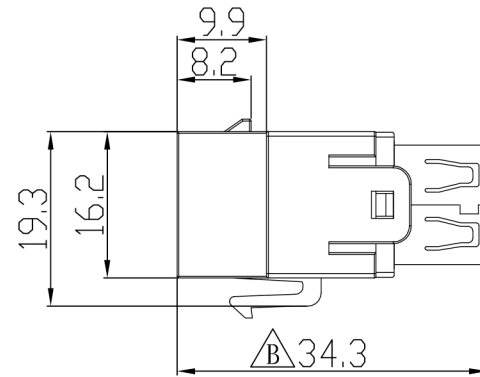
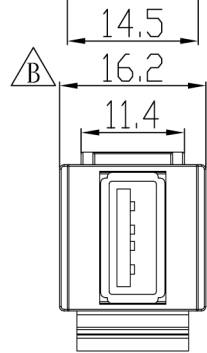
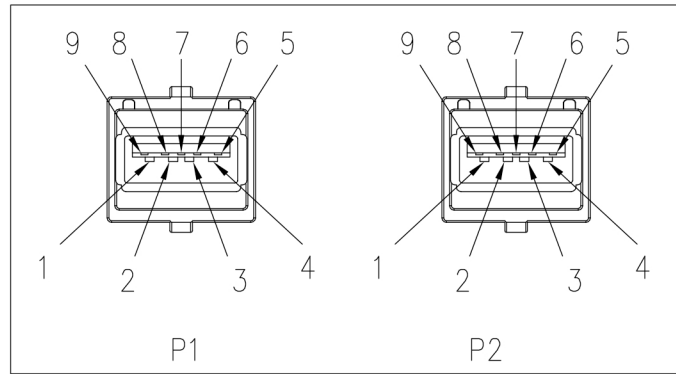


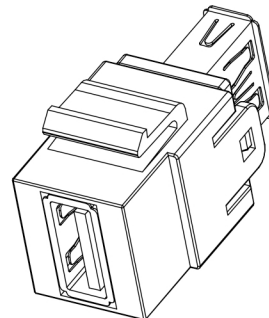
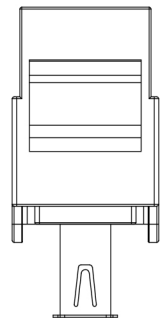
REVISIONS				
ZONE	REV	DESCRIPTION	DATE	DRAWN
	A	新產品技術移轉 EG13029	06/20/13'	JERRY
	B	ECN:ME15104縮短尺寸至34.3	03/17'15	Alias



	P1	P2
1	---	1
2	---	2
3	---	3
4	---	4
5	---	5
6	---	6
7	---	7
8	---	8
9	---	9
SHELL	---	SHELL

**B** NOTES:

- ELECTRICAL CHARACTERISTICS :  
Specification  
Contact Resistance: 30m Ohm Max.  
Insulation Resistance : 100M Ohm Min. At 500VDC.  
Rated Voltage And Current : 1.5A At 100VAC Minimum.  
Dielectric Withstanding Voltage :  
100V AC (rms) for 1 Minute (Rev. 3.0)
- MECHANICAL CHARACTERISTICS :  
Durability (Lift Test) : 1500 Cycles.  
Insertion Force : 35 Newton Maximum.  
Extraction Force : 10 Newton Minimum.
- HOUSING: ABS 94V0
- PCB: FR-4 Tin PLATING (LEAD FREE)
- CONN: INSULATION: ENGINEERING THERMOPLASTIC BLUE;  
CONTACT: PHOS.BRONZE , GOLD OVER NICKEL PLATED;  
SHELL: GOLD FLASH PLATING



UNLESS OTHERWISE SPECIFIED:		PROJECT ID	
TOLERANCES		R2013-USB3AA-XXX	
INCH	MM	FILE	DATE
.X ± .016	.X ± 0.2	Z3721.dwg	1/11'13
.XX ± .008	.XX ± 0.1		
.XXX ± .004	.X ± .5°		
ANGULAR		TITLE	
		USB 3.0 AF/AF ADAPTER	
MATERIAL	DRAWN	SIZE DRAWING NUMBER PART NUMBER REV	
	jerry	A4	Z3721 44-771-USB-AFF B
SURFACE	CHECK	SCALE 2 : 1 UNIT mm SHEET 1 of 1	
	APPROVED		

**Weltron**®