

1

2

3

4

A

A

B

B

C

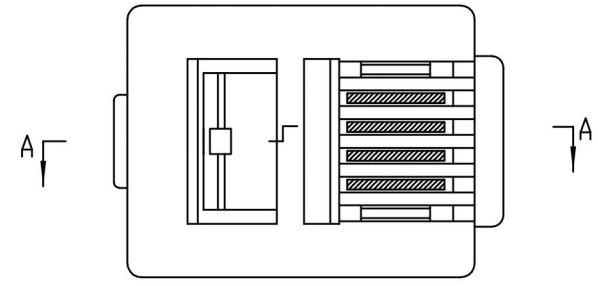
C

D

D

REV.	ECN NO.	DATE

SALT SPRAY	
G/F	NA
3u 6u	24H
15u 30u	48H
50u	



SPECIFICATION NOTES:

ELECTRICAL:

- VOLTAGE RATING: 150 VAC RMS
- CURRENT RATING: 1.5 AMP
- CONTACT RESISTANCE: 20mΩ MAX.
- INSULATION RESISTANCE: 1000MΩ MIN. AT 500V DC.
- DIELECTRIC STRENGTH: 1000 V AC OR 1500V DC RMS AT 0.5mA 50 Hz / 60 Hz FOR 1 MINUTE

MECHANICAL:

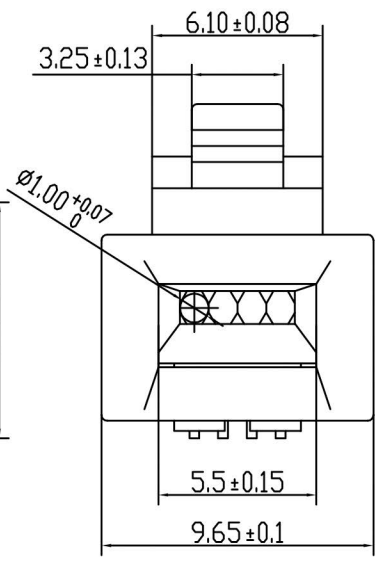
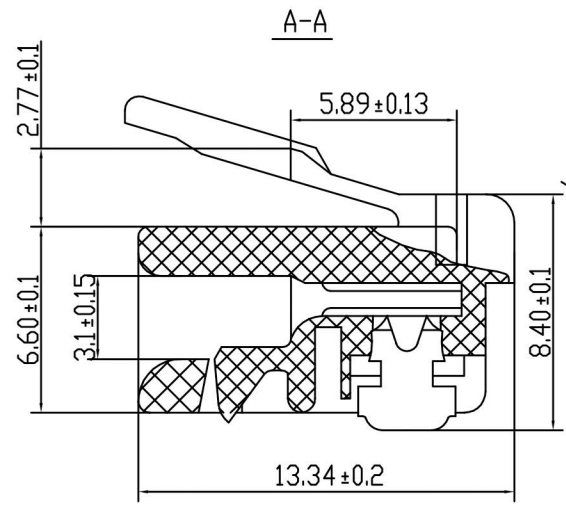
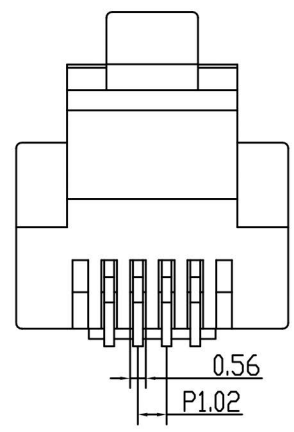
- RETENTION STRENGTH: 50N MIN. FOR 60S ± 5S
- OPERATING LIFE: 750 CYCLES MIN.
- INSERTION FORCE: 30N MAX.

ENVIRONMENTAL:

- OPERATION: -25°C ~ +55°C GB 10753-89
- STORAGE: -10°C ~ +40°C RELATIVE HUMIDITY < 80%, GB 10753-89

CHARACTERISTICS:

PLUG WILL ACCEPT 24 OR 26 AWG STRANDED WIRE HAVING A MAXIMUM INSULATION DIAMETER OF 0.89-0.99 MM AND A MAXIMUM DIAMETER CABLE JACKET OF 3.1*5.5MM.



2	QWY-1029-1	BLADE	COPPER ALLOY T=0.35		
1	QWY-1092-14	6P4C-F PLUG	SEE TABLE		
NO.	DWG NO.	NAME	DWG NO:	QWY-1135-2	REV.

RoHS Compliant

Weltron®

TOLERANCES
 0~15 ±0.15
 15~30 ±0.2
 30~ ±0.25
 ANGLES: ±1°

Material: SEE TABLE
Finish: SEE TABLE
 SHEET 1 OF 2

Designed: xiaoyao
Checked:
Approved:

DESCRIPTION
 RJ-11;STRANDED;
 4C;4C6P FLAT
PART NO: 44-751-4

A4	SCALE	UNIT	CUSTOMER:
	1:1	mm	MODEL NO:

1

2

3

4