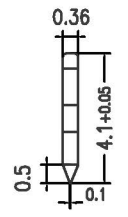
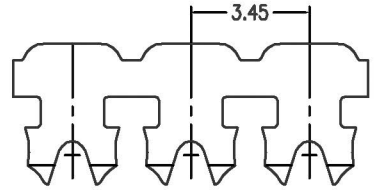
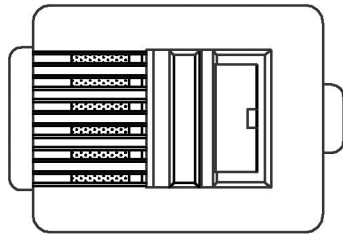
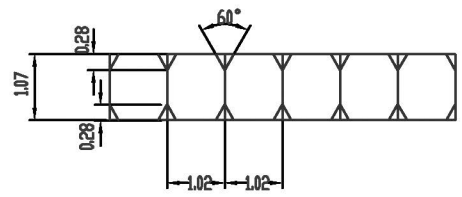
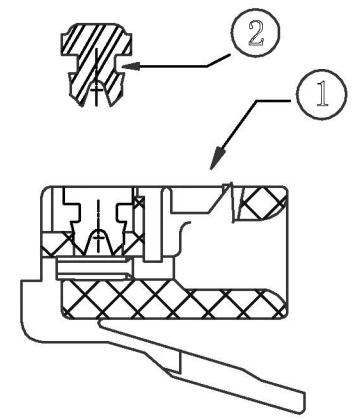
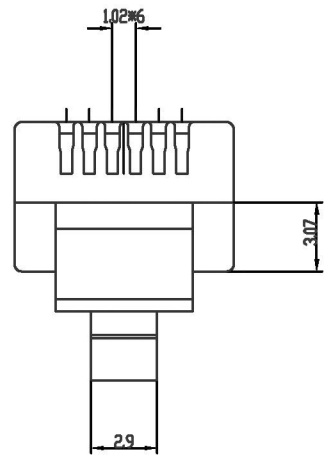
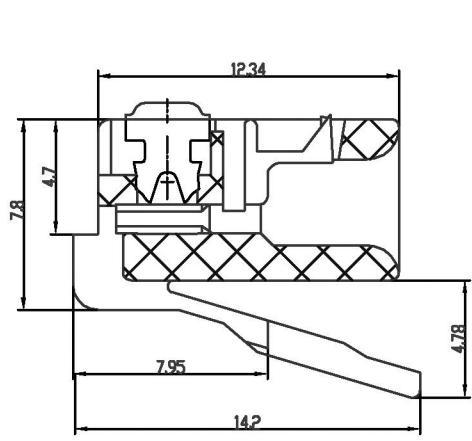
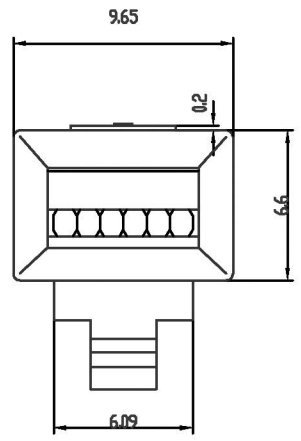


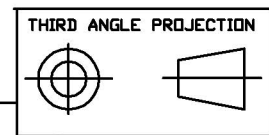
F	G	H
105 6P6C	A	05/06/01



- 3 uinch-50 u inch
- 1.5AMPS
- 125VAC
- 100MEGOHMS
- AC1000V50HZ-60HA/min
- >7.7kg
- >3000 (NME5e)
- 25 °C~55°C

2	2	PCS		6P4C 3U-50U"
1	1	PCS		6P4C
			ZH	

V2012



<b>weltron</b> ®	
PART NO.	44-751-6
DESCRIPTION :	RJ-12 :STRANDED; 6C : 6P6C FLAT