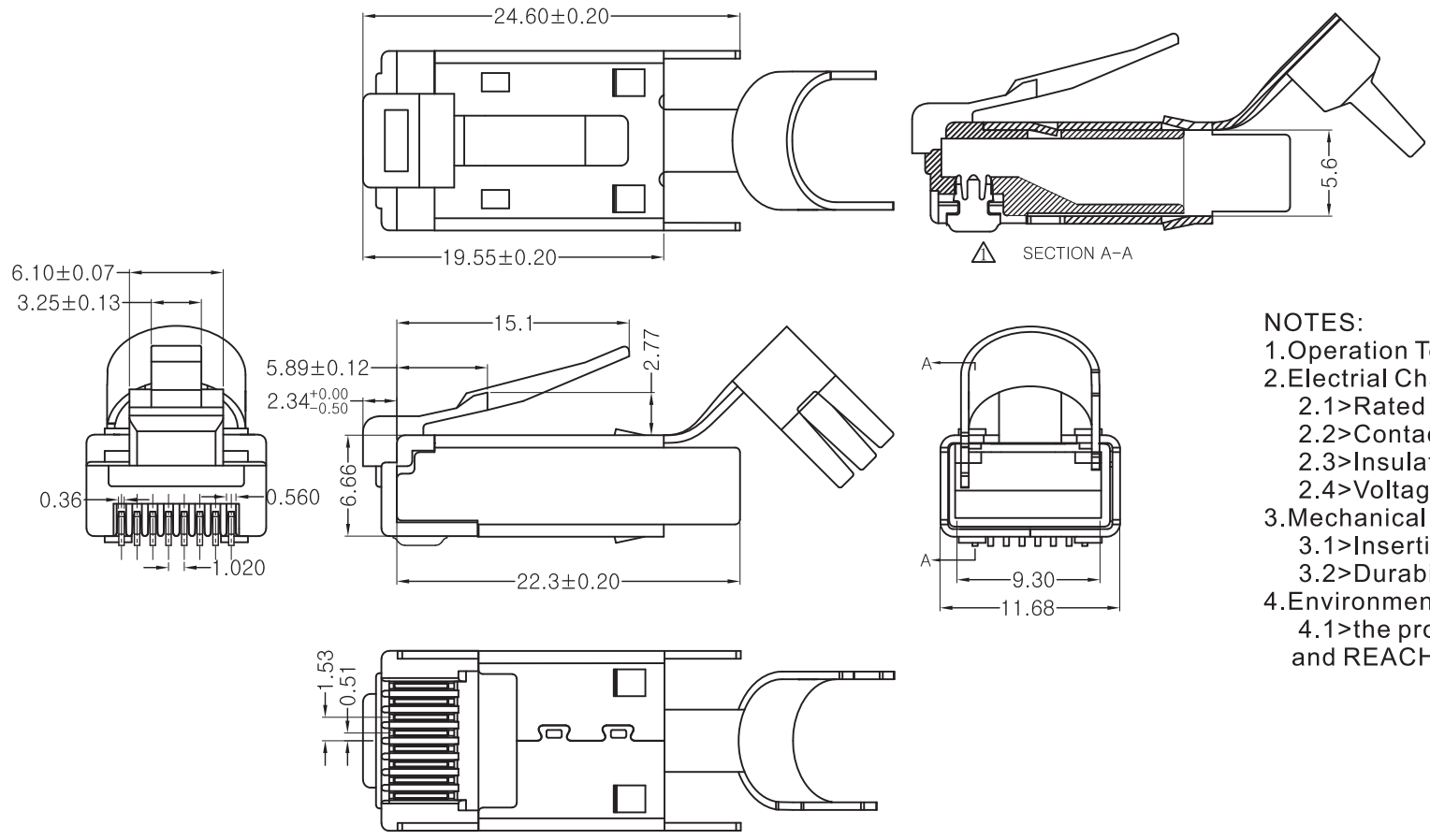


REVISION INFORMATION			
Rec.	Rec. Date	Modified By	Brief Description



- NOTES:**
1. Operation Temperature: $-40^{\circ}\text{C} \sim +85^{\circ}\text{C}$.
 2. Electrical Characteristics:
 - 2.1> Rated Current : 125V AC, 1.5A@ 25°C .
 - 2.2> Contact Resistance : 20mΩ Max.
 - 2.3> Insulation Resistance: 500MΩ Min, 100V DC/min.
 - 2.4> Voltage Proof: 1000V AC/1 minute no breakdown
 3. Mechanical Characteristics:
 - 3.1> Insertion Force & Withdrawal Force : 30N Max.
 - 3.2> Durability: 750 cycles Min.
 4. Environmental compliance:
 - 4.1> the products are compliant with the RoHS, and REACH etc.

TOLERANCE:			
LINEAR:	ANGULAR:		
X. =±1	X.° =±1°		
.X =±0.2	.X° =±0°30'		
.XX=±0.05			
FILLET:	CHAMFER:		
R2=RAD.2mm	C0.5=CHAM0.5mm		
R5=RAD.5mm	C1=CHAM1mm		
XR=MAX RAD.			

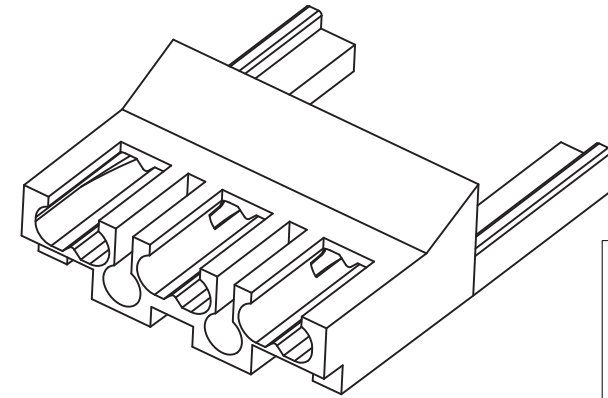
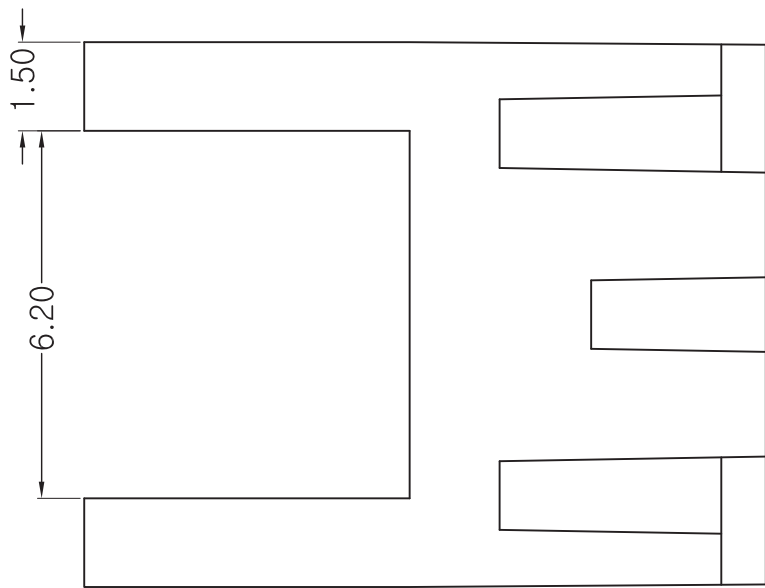
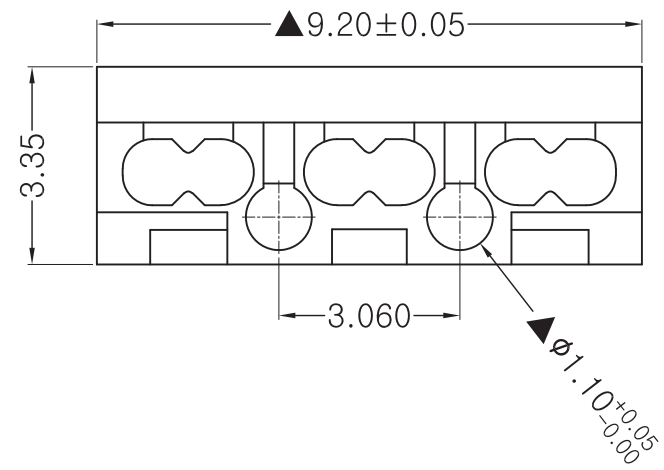
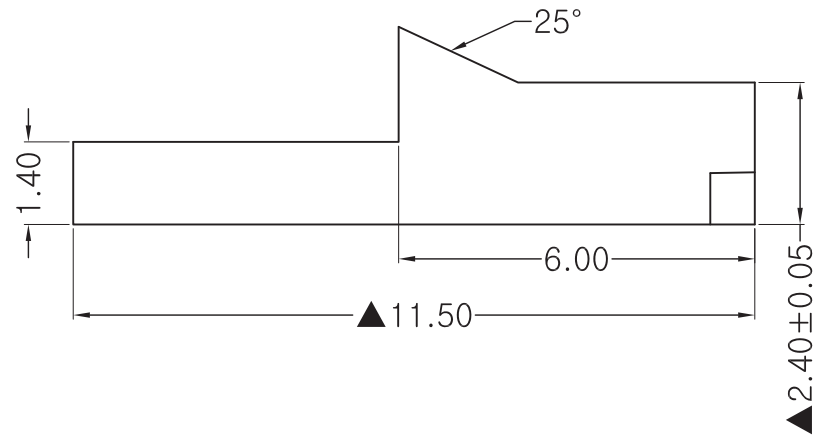
ITEM NO:	Industrial CAT.6A Shielded RJ45 Connector with Screw Type Boot	DRAWER	FW
TITLE	44-751-8C6A-SHB-IN	DATE	20230726
CUSTOMER		CHECKED	ACE
MATERIAL		DATE	20230726
REV.	A	APPROVED	
DRAWING NO:	30726173	DATE	
ACAD FILE			



NO.	NAME	QTY	DESCRIPTION	MATERIAL
1	Modular Plug	1PCS	Shell	Square hole
	Contacts	8PCS	2 Prongs <input type="checkbox"/>	Au: G/F'' <input type="checkbox"/> 1u'' <input type="checkbox"/> 3u'' <input type="checkbox"/> Ni:80u'' <input checked="" type="checkbox"/>
	Housing	1PCS	3 Prongs <input checked="" type="checkbox"/>	Brass <input checked="" type="checkbox"/> Spcc <input type="checkbox"/>
			Transparent black PC	Brass <input checked="" type="checkbox"/>
			94V-2 <input checked="" type="checkbox"/> 94V-0 <input type="checkbox"/>	Phosphor copper <input type="checkbox"/>

RoHS COMPLIANT

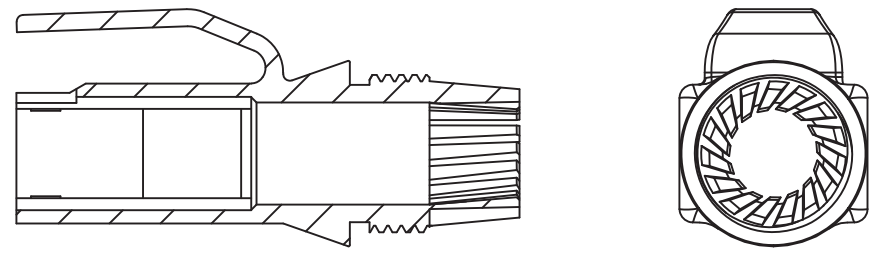
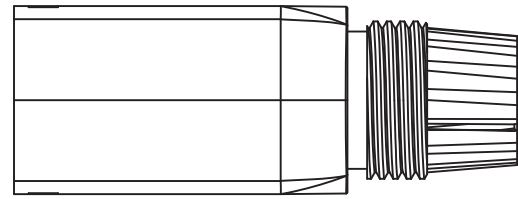
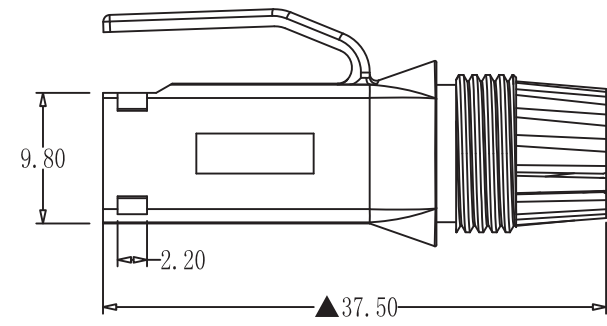
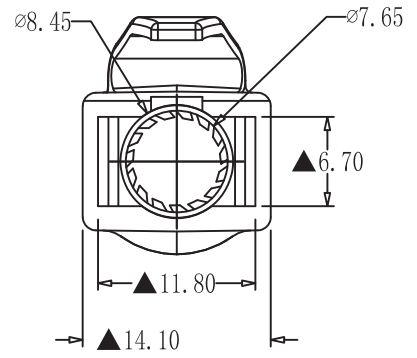
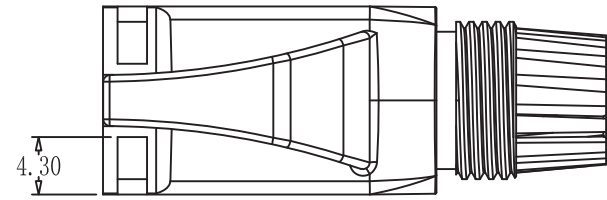
REVISION INFORMATION			
Rec.	Rec. Date	Modified By	Brief Description



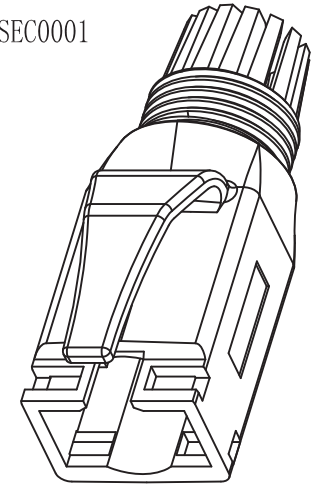
TOLERANCE:			
LINEAR:	ANGULAR:		
X. = ±1	X.° = ±1°		
.X = ±0.2	.X° = ±0°30'		
.XX = ±0.05			
FILLET:		CHAMFER:	
R2=RAD.2mm	R5=RAD.5mm	C0.5=CHAM0.5mm	C1=CHAM1mm
XR=MAX RAD.			

ITEM NO:	Industrial CAT.6A Shielded RJ45 Connector with Screw Type Boot			DRAWER	FW
TITLE	44-751-8C6A-SHB-IN			DATE	20230726
CUSTOMER				CHECKED	ACE
MATERIAL				DATE	20230726
REV.	A	SCALE		APPROVED	
DRAWING NO:	30726173	UNIT	MM	DATE	
ACAD FILE					
weltron [®]					

REVISION INFORMATION			
Rec.	Rec. Date	Modified By	Brief Description



XSEC0001-XSEC0001



TOLERANCE:			
LINEAR:	ANGULAR:		
X. =±1	X.° =±1°		
.X =±0.2	.X° =±0°30'		
.XX=±0.05			
FILLET:	CHAMFER:		
R2=RAD.2mm	C0.5=CHAM0.5mm		
R5=RAD.5mm	C1=CHAM1mm		
XR=MAX RAD.			

ITEM NO:	Industrial CAT.6A Shielded RJ45 Connector with Screw Type Boot			DRAWER	FW
TITLE	44-751-8C6A-SHB-IN			DATE	20230726
CUSTOMER				CHECKED	ACE
MATERIAL				DATE	20230726
REV.	A	SCALE		APPROVED	
		UNIT	MM	DATE	
DRAWING NO:	30726173				
ACAD FILE				weltron®	