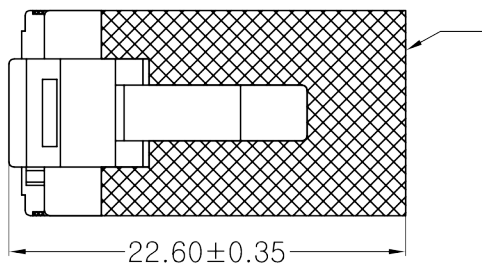
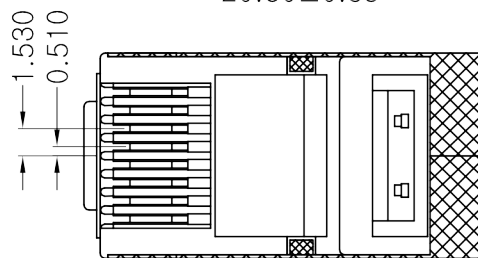
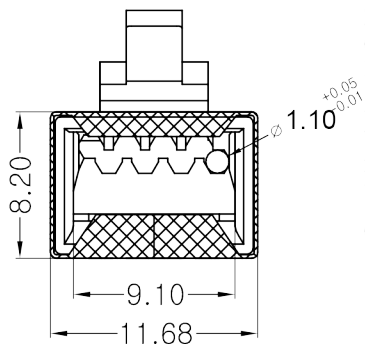
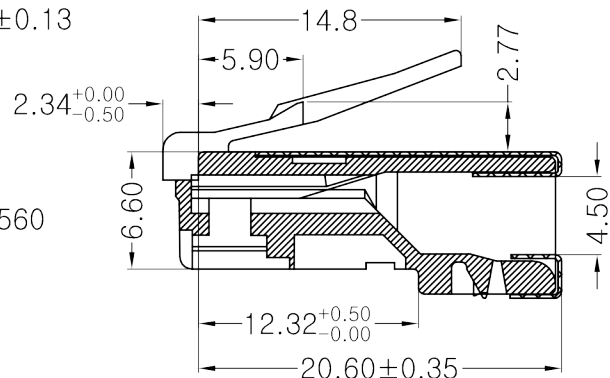
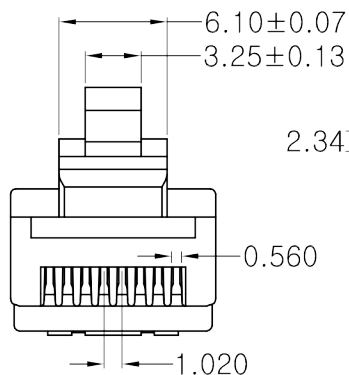


CHANGE			
EDITI	MODIFICATION	UPDATE DATE	SIGNATURE



(The shaded part says shielding shell)



Inspection for Environmental Protection:
Based on the performed tests on submitted sample, the test results are Compliant with the limits of RoHS and REACH.

Electrical Test:
A. 250V AC max, at 2A.
B. Dielectric withstanding 1000V DC/min, <0.5A.
C. Insulation Resistance: >500 MΩ, 1000V DC/min.
D. Contact Resistance: <20 MΩ.

Mechanical:
A. Cable-to-plug tensile strength-20LBS (89N)min.
B. Durability: 2000 mating cycles.

Operating Temperature: -40°C~+125°C.

= (FITTINGS) :



TERMINAL	2385S	2470	2335S	2347SC	OTHER
DRAWING					
MARK	✓	✓			

GOLD PLATING	FMu"	1u"	3u"	6u"	15u"	30u"	50u"	OTHER
MARK							✓	



PRODUCT NO	44-751-8C6SH			DWG NO	PEE005
MATERIAL	PC	UNIT	MM	SCALE	NULL
DIMENSIONAL TOLERANCE		THIRD ANGLE PROJECTION		DRAWN	Min Lee
X.X	±0.2			CHECK	ZhenFei Yan
X.XX	±0.10			DATE	2011.07.05
X.XXX	±0.050			APPROVAL	ShengQiang Li
ANGLE	±2°			DATE	2015.04.08