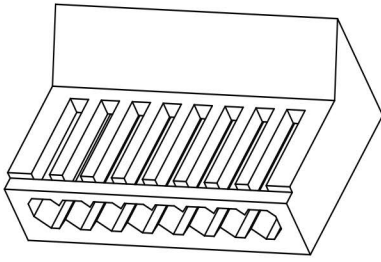
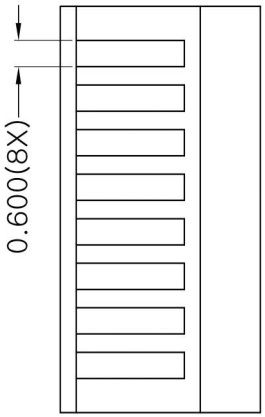
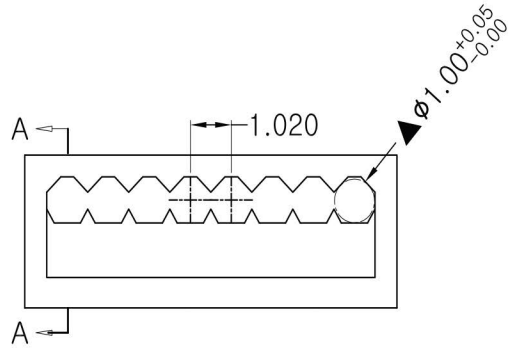
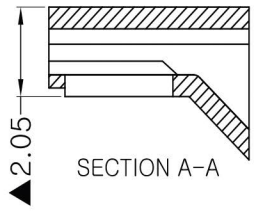
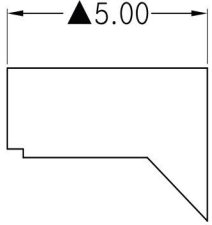
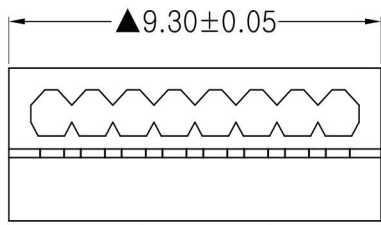




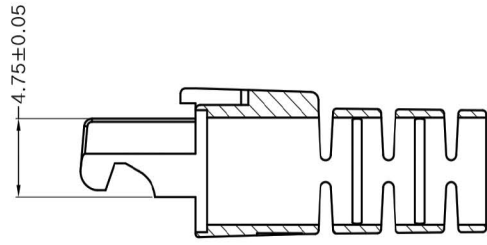
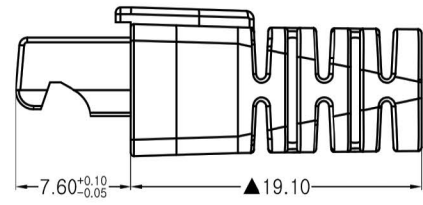
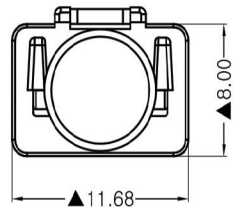
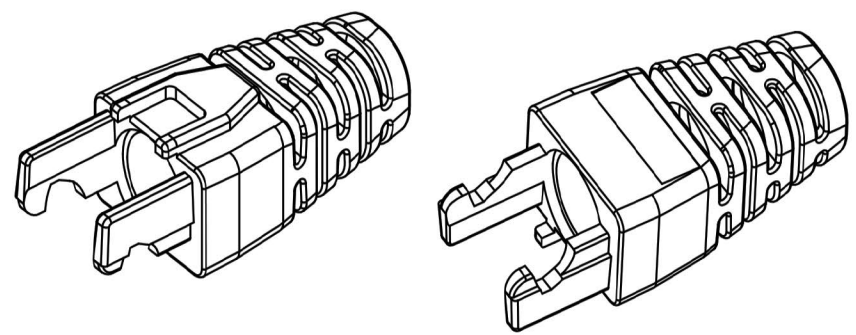
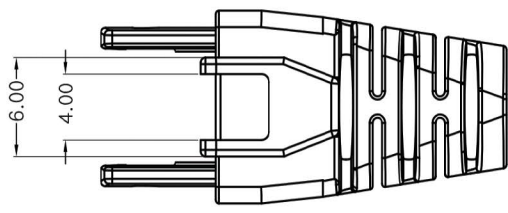
CHANGE			
EDIT	MODIFICATION	UPDATE DATE	SIGNATURE



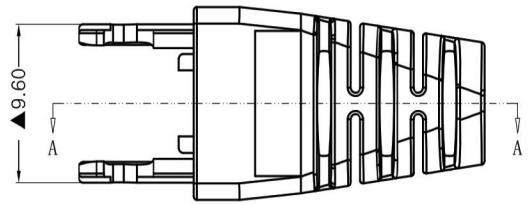
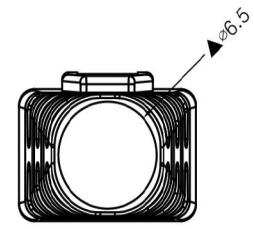
# Weltron®

PRODUCT NO				DESCRIPTION	SINGLE ROW $\phi$ 1.00mm LOADING BAR FOR 44-751-8CB6A-SH		SHEET	1/1	
MATERIAL	PC	UNIT	mm	SCALE	NULL	DWG NO	LBO1002	EDIT	A/0
DIMENSIONAL TOLERANCE			THIRD ANGLE PROJECTION			DRAWN		DATE	2017. 05. 02
X. X            ±0.2						CHECK		DATE	
X. XX        ±0.10						APPRO.		DATE	
X. XXX      ±0.05									
ANGLE        ±2°									

CHANGE			
EDIT	MODIFICATION	UPDATE DATE	SIGNATURE



SECTION A-A



**Weltron®**

PRODUCT NO						DESCRIPTION	CLEAR BOOT FOR CAT6A SHIELDED RJ45 (44-751-8CB6A-SH)			
MATERIAL	PC	UNIT	mm	SCALE	NULL	DWG NO	SR00031	EDIT	A/0	
DIMENSIONAL TOLERANCE		THIRD ANGLE PROJECTION				DRAWN		DATE	2018. 04. 25	
X. X	±0.2					CHECK		DATE		
X. XX	±0.10					APPRO.		SHEET	1/1	
X. XXX	±0.05									
ANGLE	±2°									