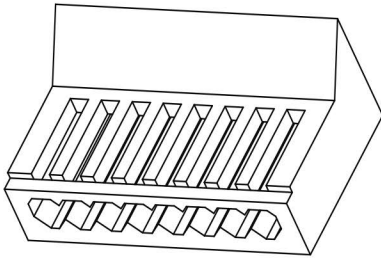
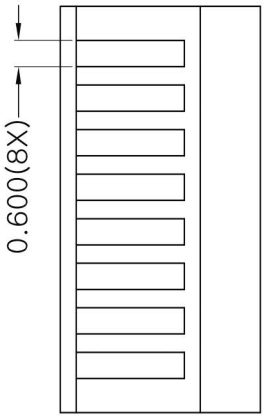
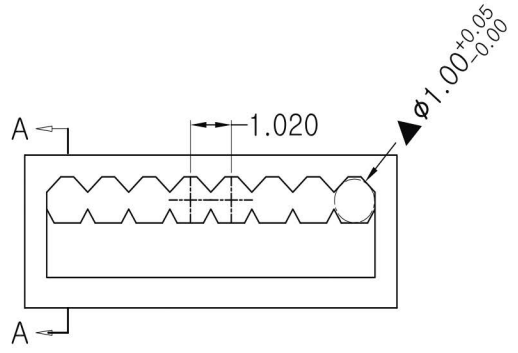
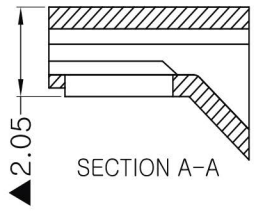
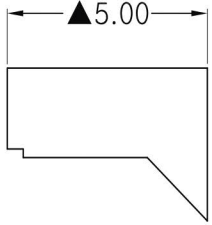
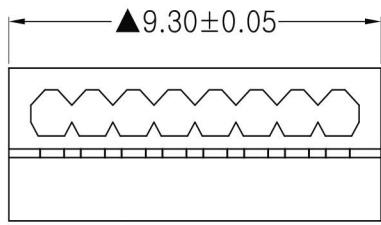


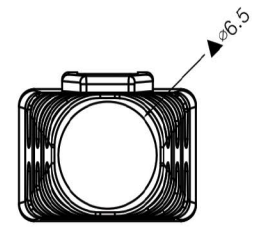
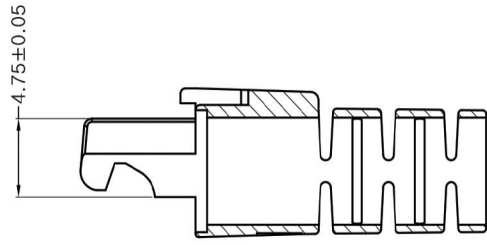
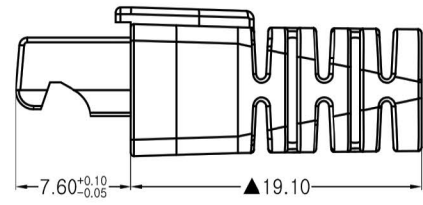
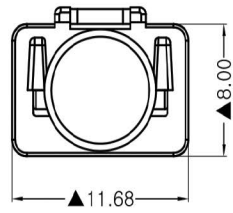
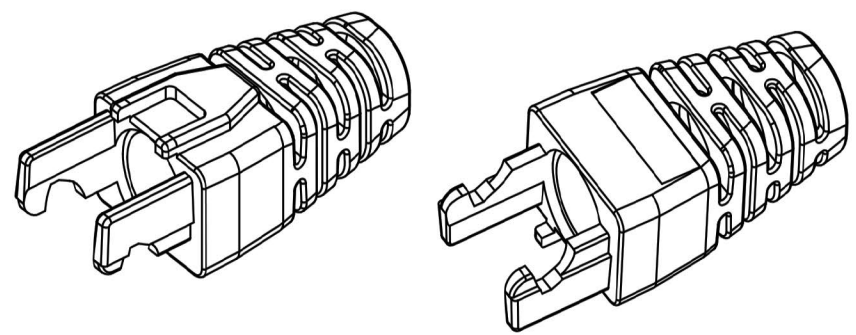
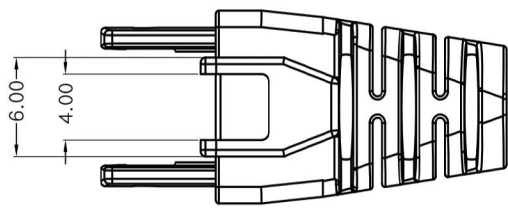
CHANGE			
EDIT	MODIFICATION	UPDATE DATE	SIGNATURE



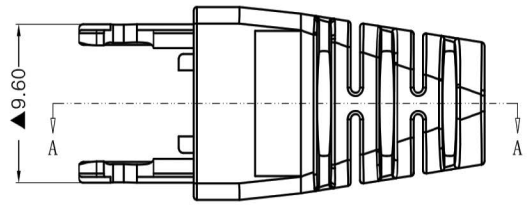
Weltron®

PRODUCT NO		DESCRIPTION	SINGLE ROW ϕ 1.00mm LOADING BAR FOR 44-751-8CB6A			SHEET	1/1		
MATERIAL	PC	UNIT	mm	SCALE	NULL	DWG NO	LBO1002	EDIT	A/0
DIMENSIONAL TOLERANCE		THIRD ANGLE PROJECTION			DRAWN		DATE	2017. 05. 02	
X. X	±0.2				CHECK		DATE		
X. XX	±0.10				APPRO.		DATE		
X. XXX	±0.05						DATE		
ANGLE	±2°						DATE		

CHANGE			
EDIT	MODIFICATION	UPDATE DATE	SIGNATURE



SECTION A-A



Weltron®

PRODUCT NO			DESCRIPTION	CLEAR BOOT FOR CAT6A RJ45 (44-751-8CB6A)					
MATERIAL	PC	UNIT	mm	SCALE	NULL	DWG NO	SR00030	EDIT	A/0
DIMENSIONAL TOLERANCE			THIRD ANGLE PROJECTION			DRAWN		DATE	2018.04.25
X.X	±0.2					CHECK		DATE	
X.XX	±0.10					APPRO.		SHEET	1/1
X.XXX	±0.05								
ANGLE	±2°								