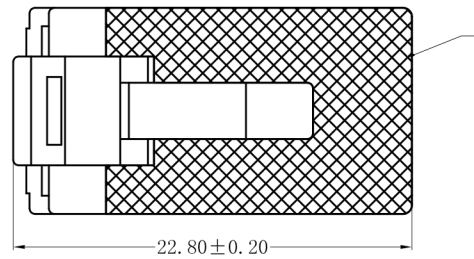


CHANGE			
EDITI	MODIFICATION	UPDATE DATE	SIGNATURE



Inspection for Environmental Protection:  
Based on the performed tests on submitted sample, the test results are Compliant with the limits of RoHS and REACH.

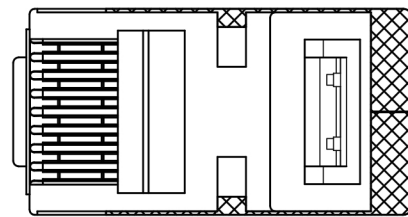
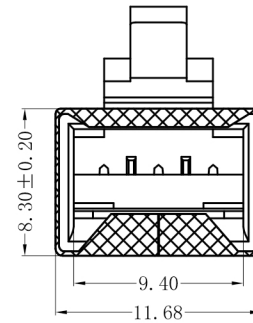
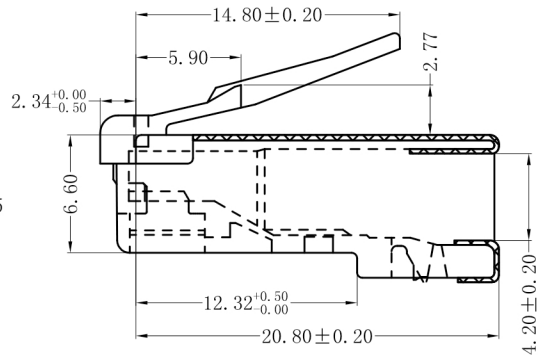
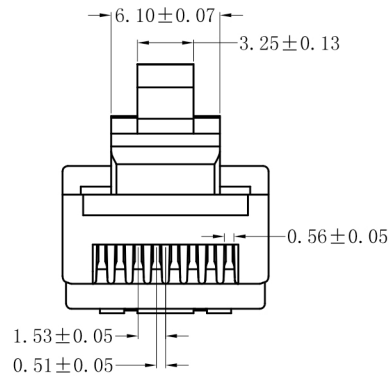
**Electrical Test:**

- A. 250V AC max, at 2 A.
- B. Dielectric withstanding 1000V/DC/min, <0.5A.
- C. Insulation Resistance: >500 MΩ, 1000V/DC/min.
- D. Contact Resistance: <20 mΩ.

**Mechanical:**

- A. Cable-to-plug tensile strength-20LBs(89N)min.
- B. Durability: 2000 mating cycles.

Operating Temperature: -40°C ~ +125°C.



TERMINAL	2405	2385	2470	2333S (TW)	2348S (TW)	OTHER		
DRAWING								
MARK				✓	✓			
GOLD PLATING	1U"	FU"	3U"	6U"	15U"	30U"	50U"	OTHER
MARK							✓	

# Weltron®

PRODUCT NO	GY-TC6E6D-0.99	DESCRIPTION	44-751-8LB6A-SH			DWG NO	PEE003
MATERIAL	PC	UNIT	MM	SCALE	FULL	EDITI	A/0
DIMENSIONAL TOLERANCE		THIRD ANGLE PROJECTION		DRAWN	Min Lee	DATE	2010. 11. 02
X. X	±0.2			CHECK	ZhenFei Yang	DATE	2010. 11. 02
X. XX	±0.10			APPROVAL	ShengQiang Li	DATE	2010. 11. 02
ANGULAR	±2°						