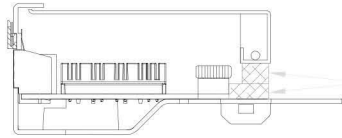
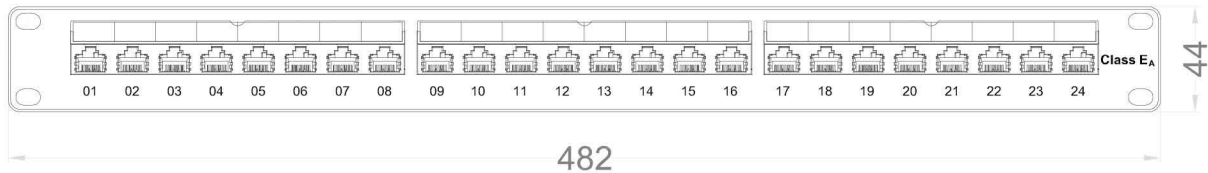
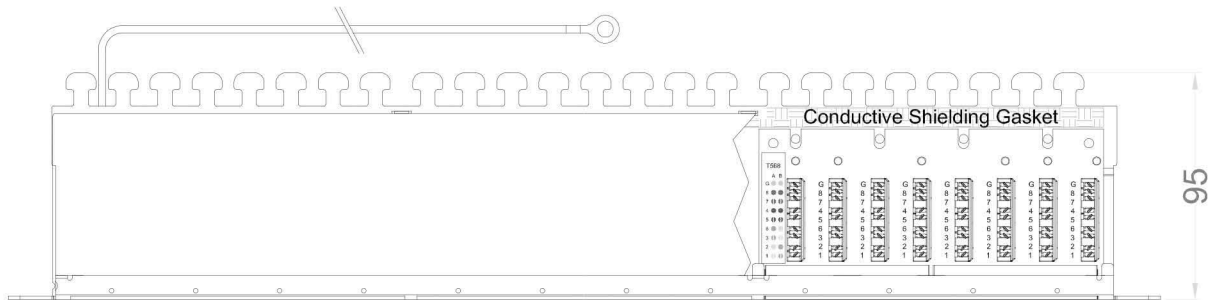


C6A PATCH PANEL FTP 50u



Conductive Shielding Gasket



Specification

Qualified Screened Class E_A/Category 6A
 Permant Link / Channel of ANSI/TIA-568-C.2
 IEC 60603-7-51
 ISO/IEC 11801 2.2 Edition
 CENELEC EN 50173-1:2011

Physicals

Frame : 1.5t SPCC, Nickel Plating & Print
 Shield : 0.25mm Thickness Copper Alloy Plated with Tin
 Plastic : High Impact Flame Retardant Plastic,
 UL-94V0 Rated
 PCB : FR4, 1.6mm Thickness
 Jack Contact : Gold Plating over nickel on copper wire
 Connector : Insulation Displacement Connector
 (IDC) Accept #22-26 AWG Solid Wire
 Covershield : 1.0t SPCC, Nickel Plating

Electrical

Current Rating : 1.5 Amps
 Insulation Resistance : 500 Mohms Minimum
 Contact Resistance : 10 mohms Maximum
 DC Resistance : 0.1 ohms Maximum
 Shield Transfer Impedance @ 100 MHz 2000 mohms Max

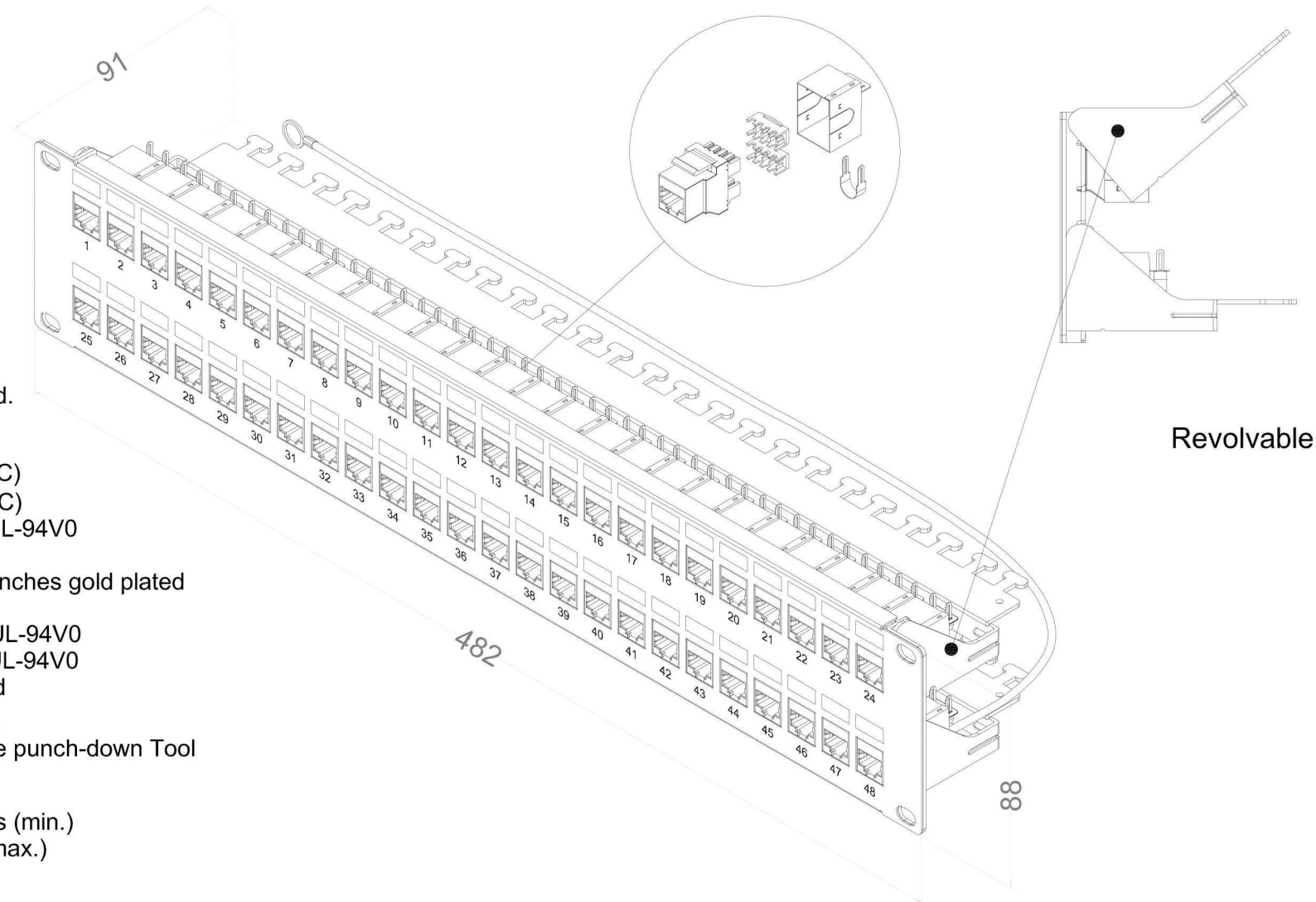
Mechanical

Plug Insertion Life : 750 Cycles Minimum
 Plug & Jack Contact Force : 100 Grams Minimum
 Using FCC-Approved Plug
 Plug Retention Force : 30 lbs Minimum
 Temperature : -40° to 150°F (-40° to 68°C)

DRAW NO:		ITEM NO:	90-24PPC6A
	APPR	CUSTOMER:	
UNIT: m/m	DESIGN	DATE:	
SCALE:	Ref. NO:	TOLERANCE:	· ± 1 · X ± 0.2 · XX ± 0.15

weltron®

C6A PATCH PANEL FTP 50u



Performance:

Meets C6A EIA/TIA 568C Standard.

Materials:

- Panel : Metal (SPCC)
- Cable Management : Metal (SPCC)
- Keystone Body : Fireproof ABS UL-94V0
- Metallic Case : Metal
- Jack : 8P8C 50 micro inches gold plated
- PCB : FR-4 / UL-94V0
- IDC Cap : Fireproof ABS UL-94V0
- IDC Body : Fireproof ABS UL-94V0
- IDC Pin : Bronze & Tinned
- IDC Description : For 22-26 AWG.
For 110 or Krone punch-down Tool

Electrical Specifications:

- Insulation Resistance : 500M ohms (min.)
- Contact Resistance : 20m ohms (max.)
- Current Rating : 1.5 Amps.
- DC Resistance : 0.1 ohms (max.)
- Withstanding Voltage : 1000 VAC RMS @ 60Hz / 1 min.

Mechanical Specifications:

- IDC Punch Down Cycle : Over 250 Cycles (min.)
- Jack Insertion Cycle : Over 2000 Cycles (min.)

Operation Temperature : -40 °C ~ +70 °C

DRAW NO:		ITEM NO:	90-48PPC6A
	APPR	CUSTOMER:	
UNIT:	m/m	DESIGN	DATE:
SCALE:	Ref. NO:	TOLERANCE:	· ± 1 · X ± 0.2 · XX ± 0.15

weltron®