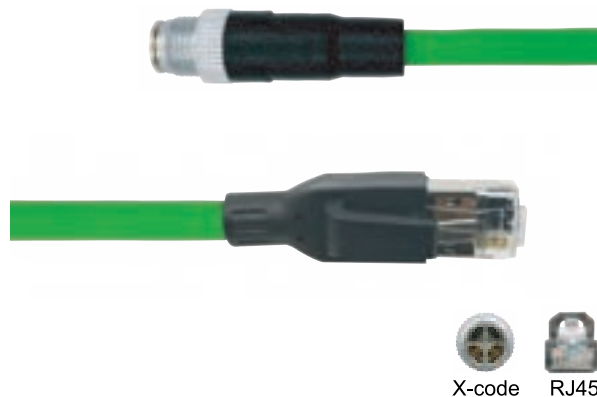
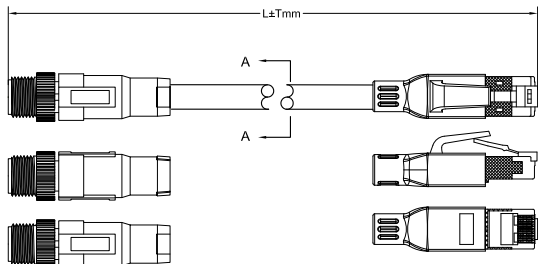


weltron®**M12 Industrial Ethernet X-Coded male to RJ45 male 8-POS 10G CAT.6A Cable Assemblies, Shielded, PUR, Drag Chain Suitable**

PN: 54-5070011-XXM

Overview

- M12 X-coded Male to RJ45 Male PUR, 8POS
- Head A: IP66K, IP67; Head B: IP20
- Application: Vision systems and cameras; Industrial communications; Industrial machinery; Robotics; Material handling; Test equipment; I/O connectivity; Data acquisition

**Technical data****Side A**

Head A: Connection	M12
Head A: Angle cable outlet	0°
Head A: Gender	Male
Head A: Coding	X
Head A: No. of poles	8
Head A: LED	No
Head A: Width across flats	SW13
Head A: Tightening torque	0.6 Nm
Head A: Knurled nut material	Zinc-pressure die casting, surface Cr
Head A: Body color	Black
Labeling sleeve side A	Yes
O-Ring:	N/A

Side B

Head B: Connection	RJ45
Head B: Angle cable outlet	0°
Head B: Gender	Male
Head B: Coding	N/A
Head B: No. of poles	8
Head B: LED	No
Head B: Body color	Black
Labeling sleeve side B	Yes

Cables

Cable length	0.3~30m
Length tolerance	±20/80mm
Shielded	Yes
Conductor structure	30X0.08MM
AWG	26
External sheath: Material	PUR
External sheath: Color	GREEN
Cable diameter	6.8±0.2mm
Wire cross section	36.3mm ²

Electrical data

Operating voltage	max.60VDC
Nominal voltage	300 V
Contact resistance	max. 30 mOhm
Operating current per contact	max. 0.5 A

Mechanical data

Head A: Degree of protection	IP66K, IP67
Head B: Degree of protection	IP20
Bending radius (mobile)	min.15 x outer diameter
Bending radius (fixed)	min.8 x outer diameter
Cable: Torsion capable:	Yes

Environmental conditions

Temperature range (mobile)	-25°C+70°C
Temperature range (fixed)	-25°C+80°C
Cable: Temperature range (fixed)	-40°C+80°C
Dragchain capable	Yes
Head A: Chemical resistance	No
Head A: Flame resistance	HB (UL 94)
Head A: Oil resistance	ASTM 1 oil, mineral oils, limited to hydraulic oils
Head A: Acid and alkali resistant	No



Technical data

Environmental conditions

Head A: Pollution degree	3
Head B: Chemical resistance	No
Head B: Flame resistance	HB (UL94)
Head B: Pollution degree	3

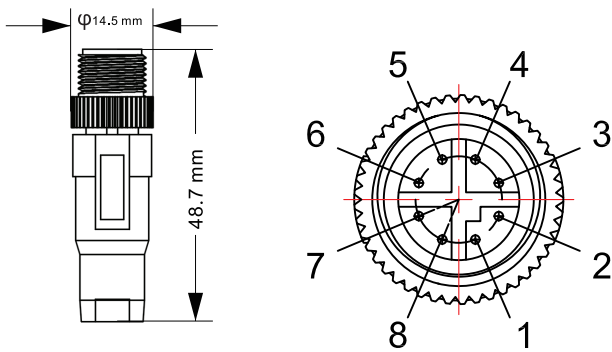
Environmental conditions

Cable: Silicone-free	Yes
----------------------	-----

Side A

Technical drawing

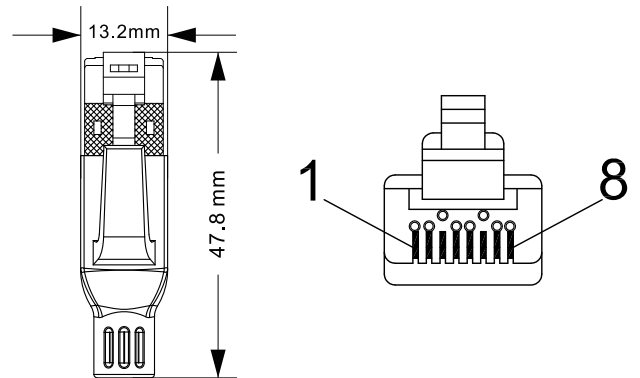
Coding



Side B

Technical drawing

Coding



Connection diagram

SIDE A

SIDE B



Sectional view

