

91-360R-8

HDMI 1x8 Splitter

(3D Ultra HD 4Kx2K)

Features:

1. Fully HDMI 1.4 specification compliant. It is applicable to source device and high definition display device, such as DVD and HDTV which have HDMI Ports or digital ports and are compliant with HDCP protocol.
2. Support high resolutions up to 1920*1200, including 480i/p,576i/p,720i/p,1080i/p.
3. Support 30/36 dark, extended color space support, including: SYCC601、Adobe RGB、AdobeYCC601
4. Blu-ray DVD 24/50/60fs/HD-DVD/xvYCC.
5. Audio formats DTS-HD/Dolby-trueHD/LPCM7.1/DTS/Dolby-AC3 and DSD.
6. Extend the transmission distance and improve transmission signal.
7. Compatible with DVI by using HDMI to DVI adapter.
8. Plug- and -play.
9. Metal casing design and overall shielding without signal interference.
10. Led indicates signal and power mode.
11. Power supply (please refer to technical parameter).
12. Support 3D

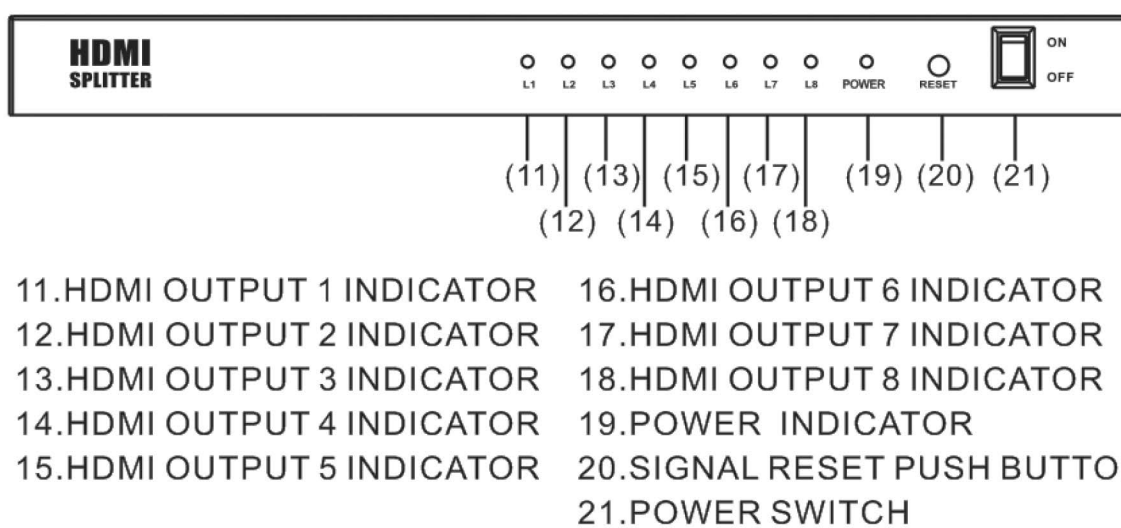
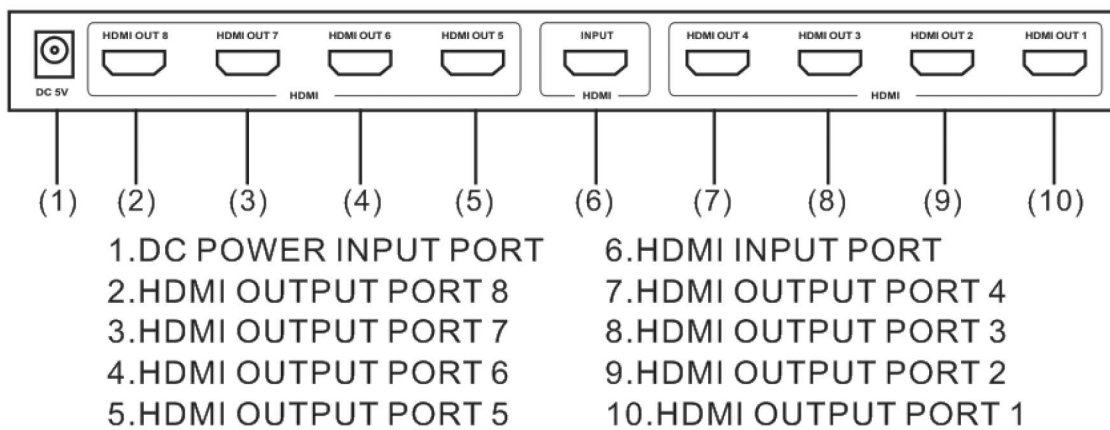
Packaging accessories:

1. HDMI 1×8 Splitter-----1 Pcs
2. 5V DC Power Adaptor-----1 Pcs
3. User Manual-----1 Pcs

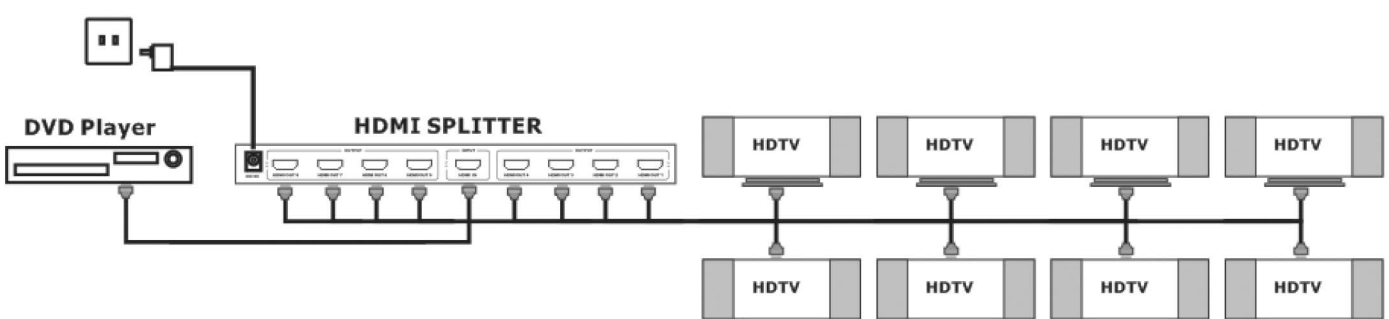
Technical parameters

HDMI Source Input Port-----	1
Display Device Output Port-----	8
Source Port Connector-----	19 PIN HDMI
Display Device Port Connector-----	19 PIN HDMI
HDCP Compliant-----	YES
Single Link Range-----	3840x2160
Input Video Signal-----	0.5-1.0 Volts P-P
Input DDC Signal-----	5 Volts P-P(TTL)
Deep Color-----	48 Bit
HDMI Version-----	HDMI1.4
Bandwidth-----	Up to 340Mhz
Signal Speed-----	Up to 10.2Gbps
The length of input cable-----	PS4≤15M; BLUE DVD≤15M
The length of output cable-----	≤25M
The cable standard-----	26AWG HDMI1.4
Vertical Frequency Range-----	60Hz
Power Consumption(max.)-----	6.5Watts
Operation Temperature-----	0°C-70°C
Working Voltage-----	DC 5V
Power Adaptor-----	5V 2A
Net Weight-----	1.03kg
Dimension: L*W*H(mm)-----	276x156x25

Panel Introduction



Connection diagram



- 6.01 Connect the HDMI cable between signal source and input port of Splitter.
- 6.02 Connect the HDMI cable between output port of Splitter and HDTV.
- 6.03 Connect splitter and power adaptor.
- 6.04 Open the signal source and the power of HDTV, then it works.