

Interface

Transmitter TX

Dimensions: 23.7mm (height), 94.0mm (width), 96.8mm (depth)

Weight: 145g

Labels: DC 5V, Power Light, HDbitT TX, Data transmission light, Network link light

Receiver RX

Dimensions: 23.7mm (height), 94.0mm (width), 96.8mm (depth)

Weight: 142g

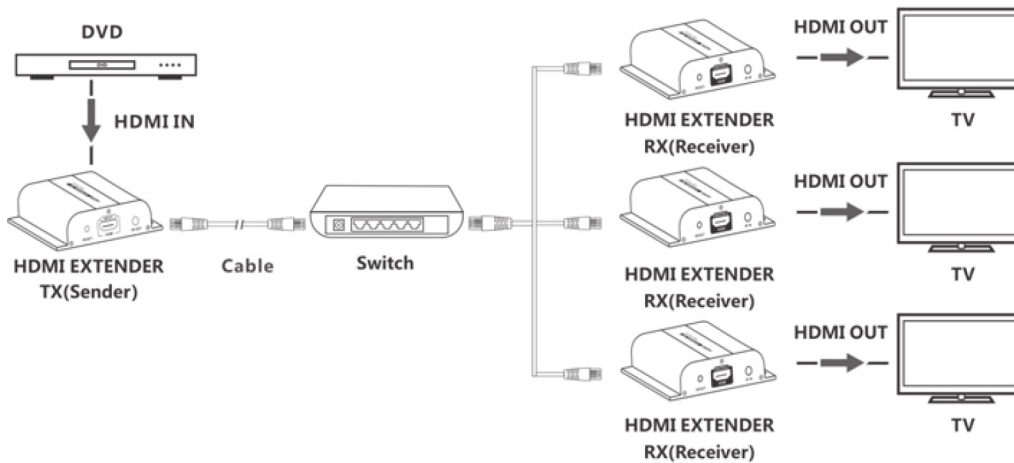
Labels: RESET, HDMI signal I/O, IR signal I/O, IR IN

Details

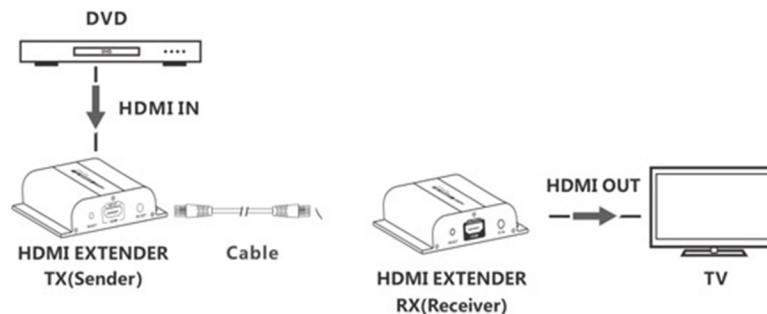


- 
 Elegant Design
- 
 Dust Proof
- 
 Tamper proof
- 
 Pressure Proof
- 
 Anti-fingerprints
- 
 Anti-static
- 
 Anti-falling
- 
 Complete Indicator Light
- 
 Heat Dissipation Easily
- 
 Wall Mounted

Connection



-OR-



Specification

- Resolutions: 480i@60Hz, 480p@60Hz, 576i@50Hz, 576p@50Hz, 720p@50/60Hz, 1080i@50/60Hz, 1080p@50/60Hz
- Network Cable: UTP/STP Cat5/5e/6
- Transmission distance: Up to 120 meters transmission distance for 1080p Full HD over single network cable
- IR signal : Supports 20~60KHz IR devices
- Working Temperature: 0°C~60
- Power Supply : DC5V/1A
- Power Consumption : TX: 3.5W; RX: 3W