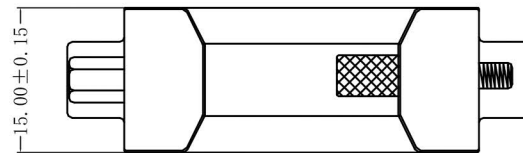
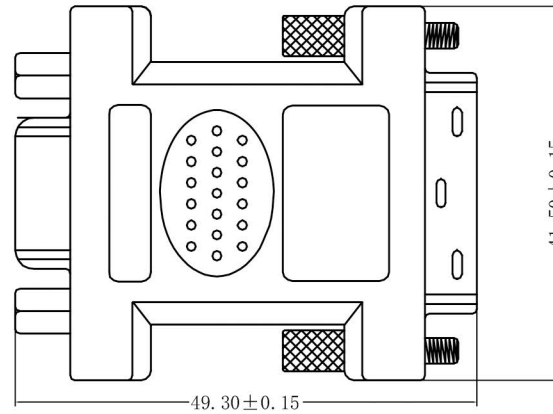
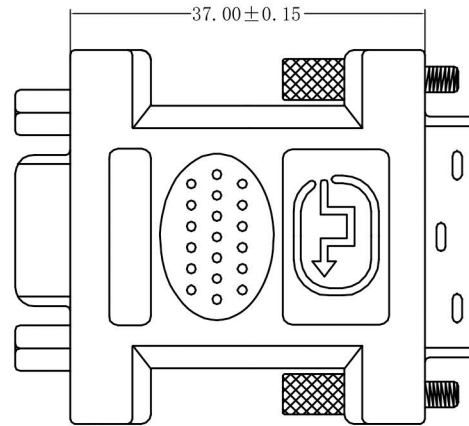
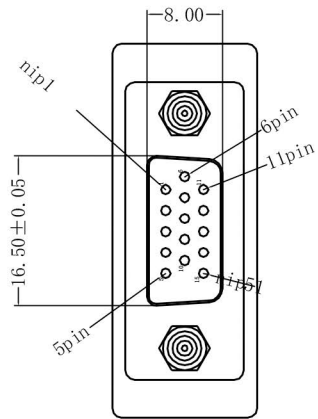
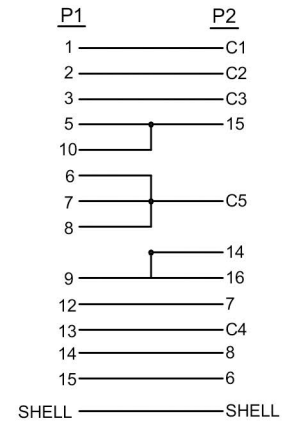
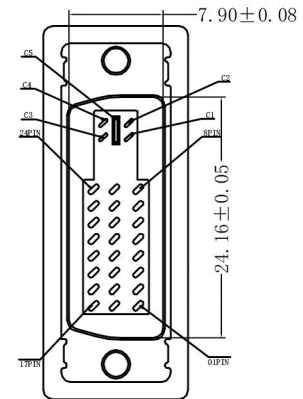


MARK	DATE	ECN NO.	DESCRIPTION	REV.	DESIGN
△					

P1



P2



P1:VGA female
P2:DVI(24+5)male

weltron[®]

Part No : **91-883**

Description: **DVI-A/D DUAL LINK
MALE TO VGA**