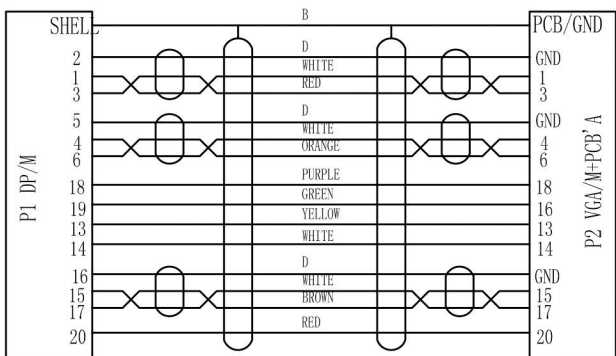
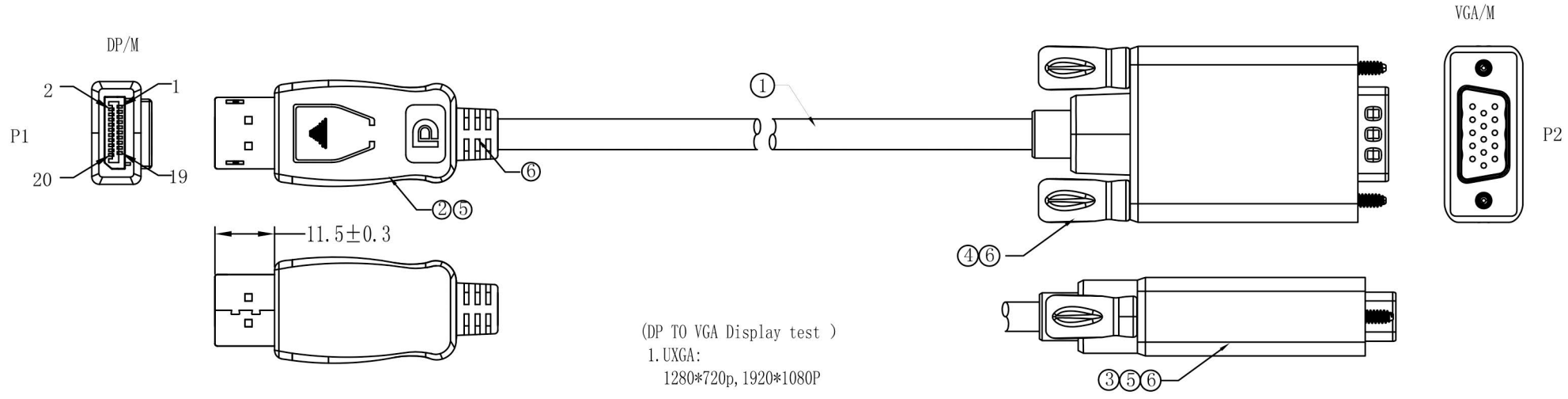


LTR	REV.	DESCRIPTION	DATE	APP'D
1	A	NEW DRAWING	2018/08/27	Grace

RoHS-COMPLIANT



6	OUTER	45P BALCK PVC	A/R
5	Mould	LD-PE	A/R
4	SCREW	Screa 4*64mm Nickel	2
3	CONN	VGA M PCBA:ANX9833 SHELL G/F, Moulding	1
2	CONN	DP/M NICKLE WITH BLACK SHELL	1
1	CABLE	UL20276 #32*3P+#32*5C+AEB BLACK OD:5.0mm	1

weltron®

Part No : **91-721-XX**

Title : **DP M TO VGA M**

A0140 201WG000000225

ToI.	Inch	mm	mm	Grace
X.	.02	0.5	±°	
X.X	.12	0.3	NONE	
X.XX	.008	0.2	NONE	
X.XXX	.006	0.15		2018-08-27
X.XXX	.006	0.15		A 1/1